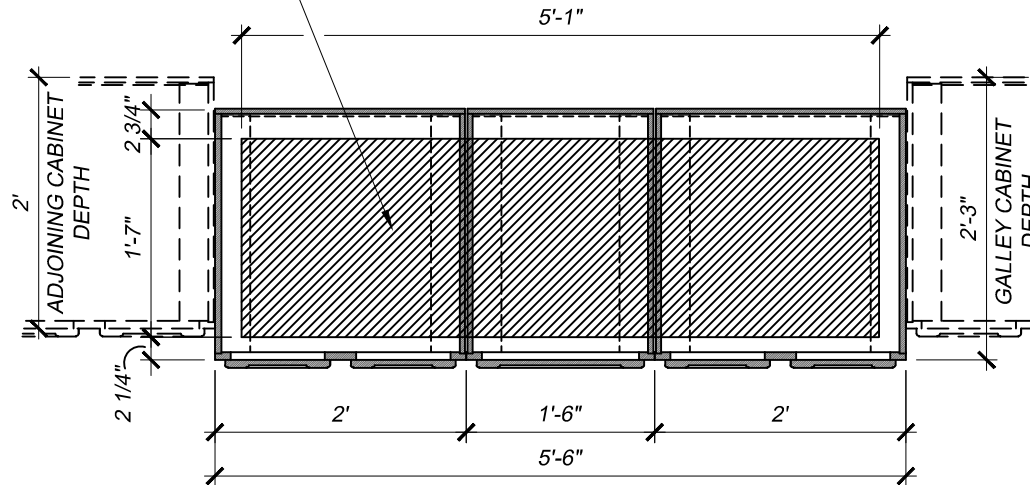
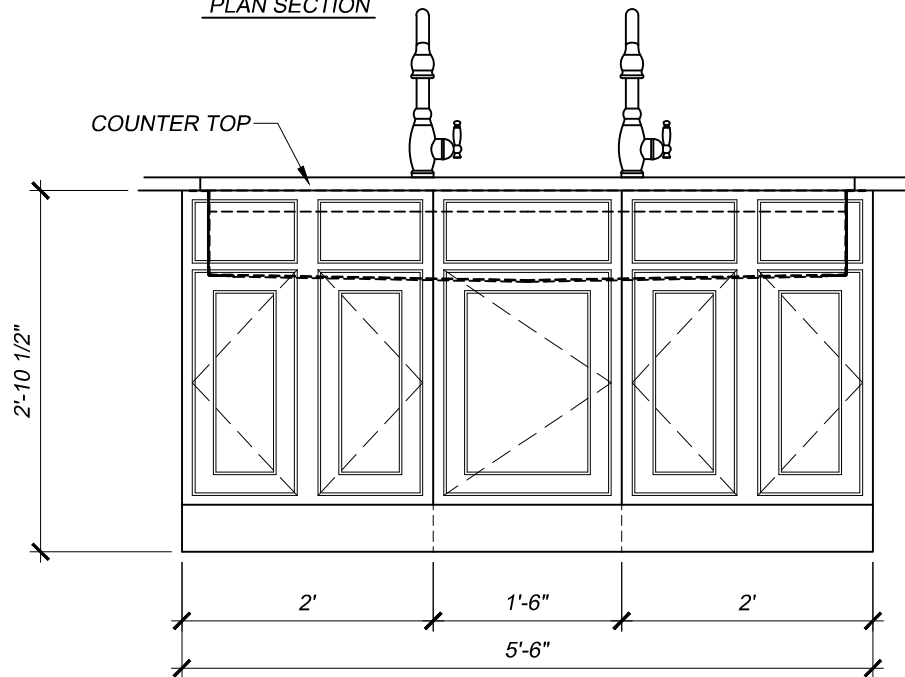


# 5.5' UNDERMOUNT GALLEY SINK DETAIL STOCK CABINET MODIFICATION

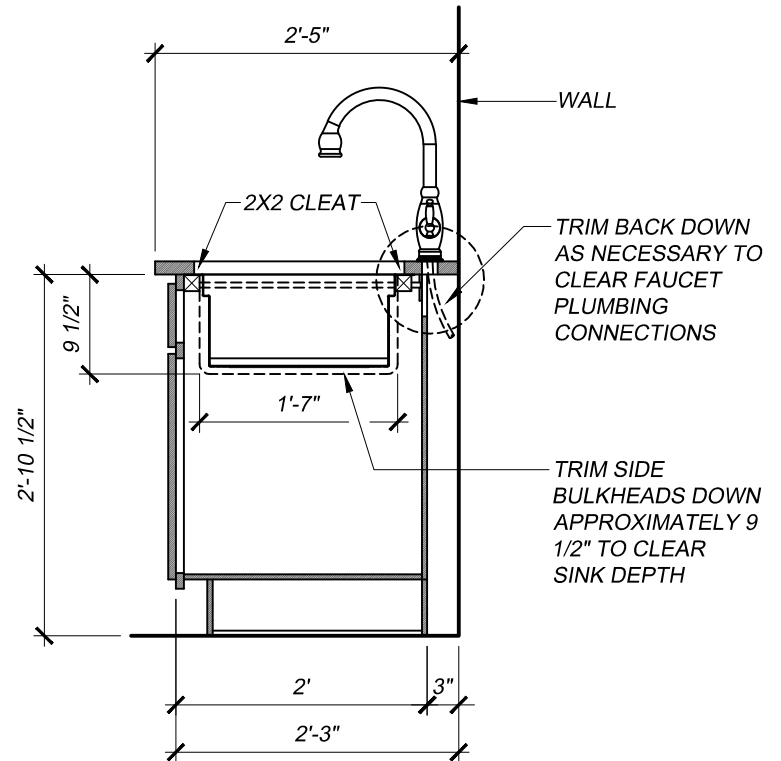
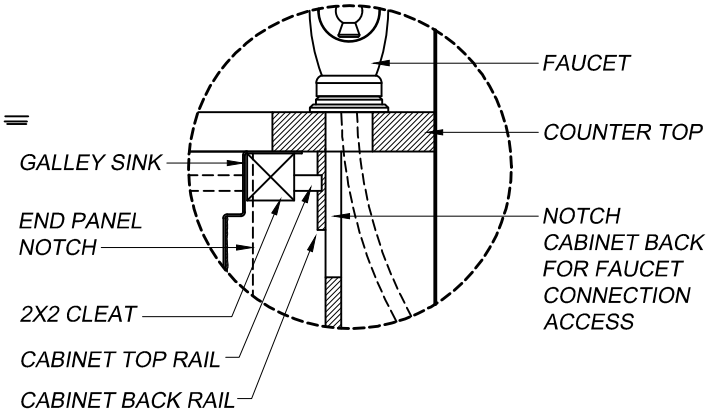
TRIM SIDE BULKHEADS AND  
RAILS AS NECESSARY IN  
AREA SHOWN



PLAN SECTION



FRONT ELEVATION



SECTION

# 7' UNDERMOUNT GALLEY SINK DETAIL STOCK CABINET MODIFICATION

