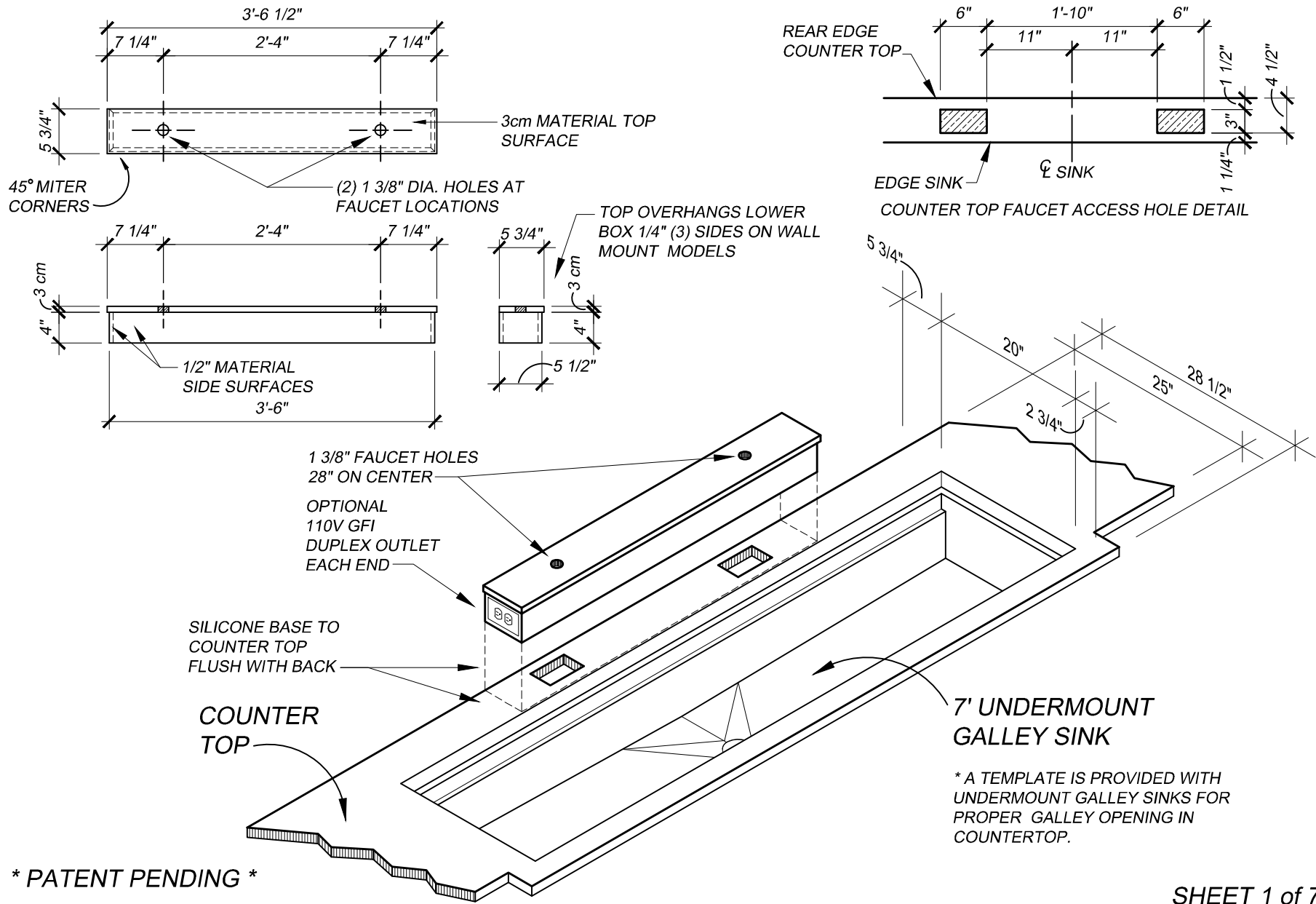
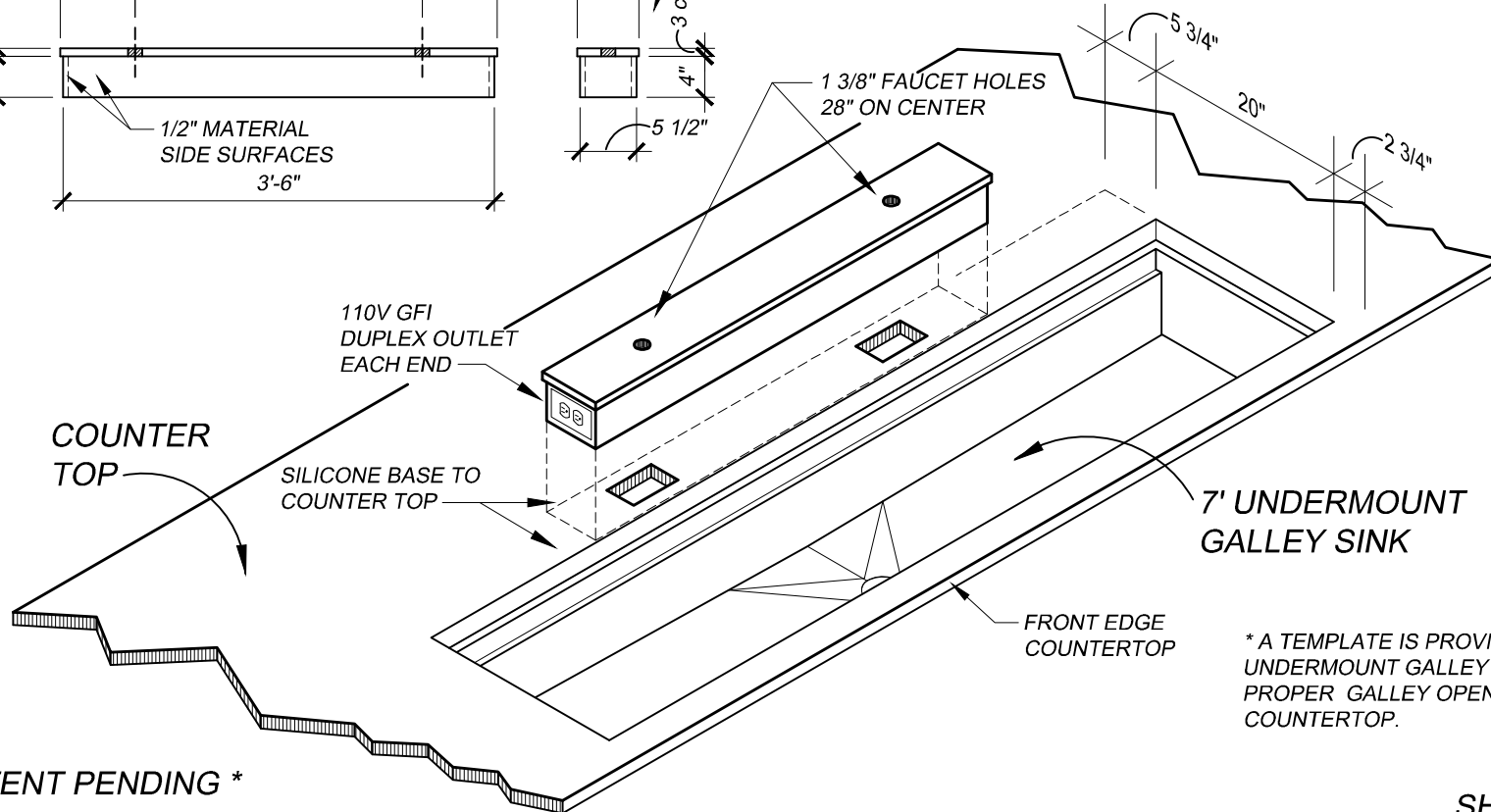
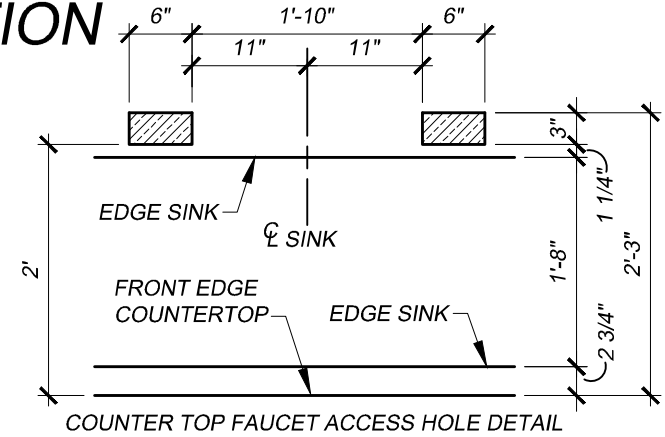
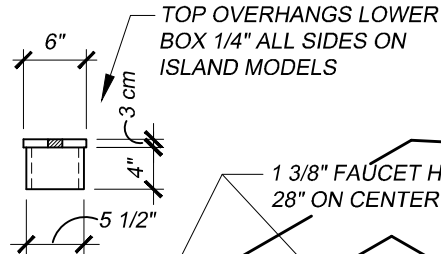
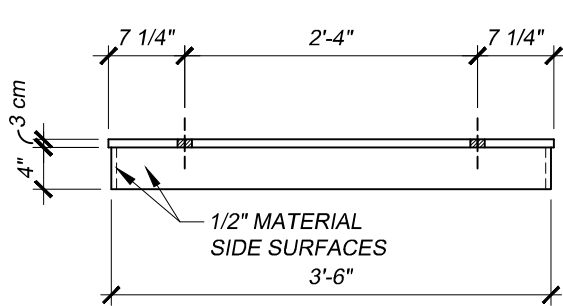
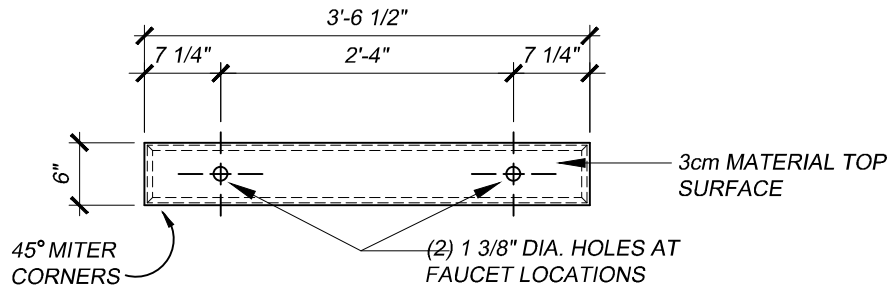


7' UNDERMOUNT GALLEY WITH RAISED FAUCET DECK FOR INSTALLATION AGAINST A WALL



* PATENT PENDING *

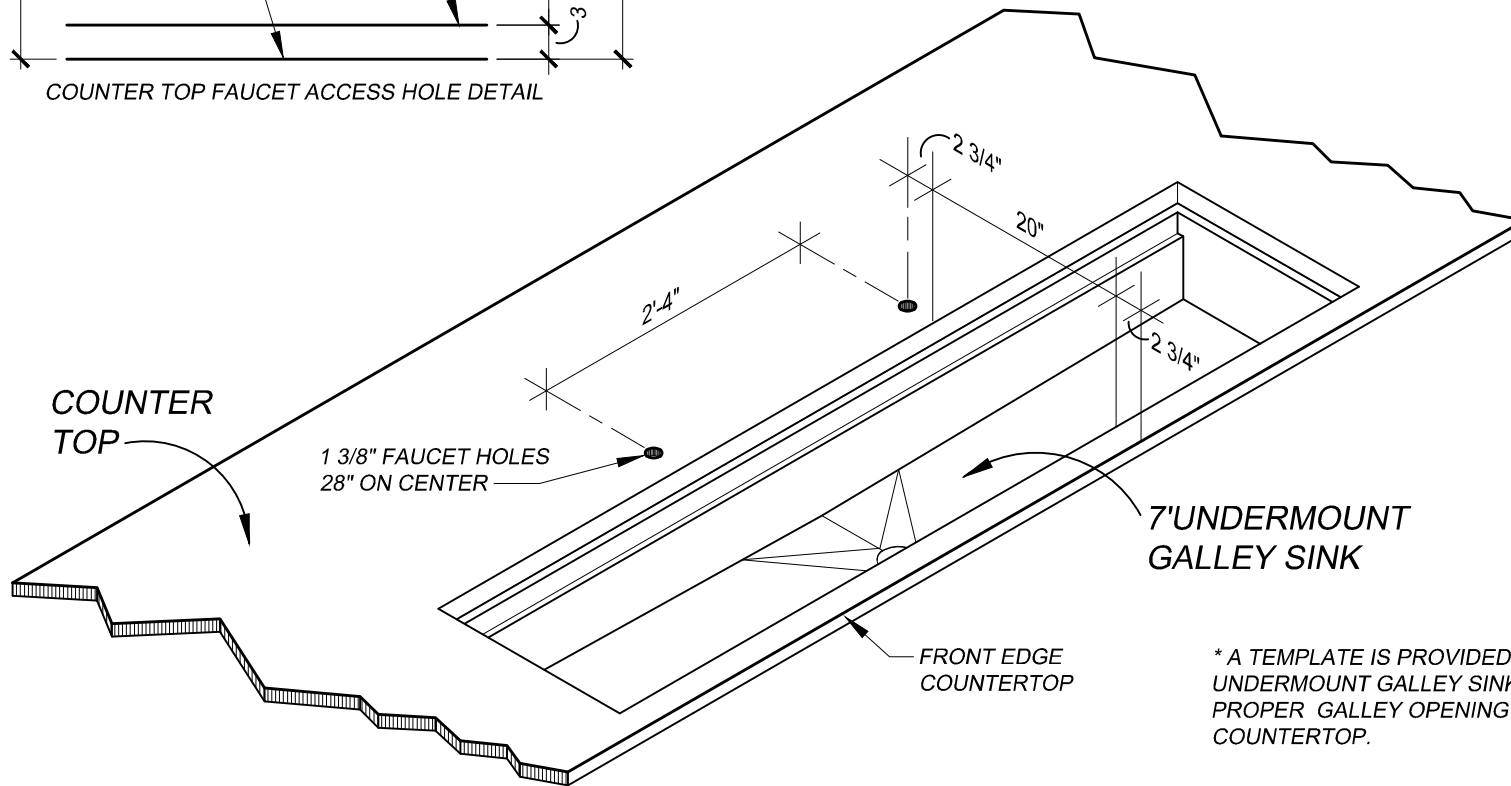
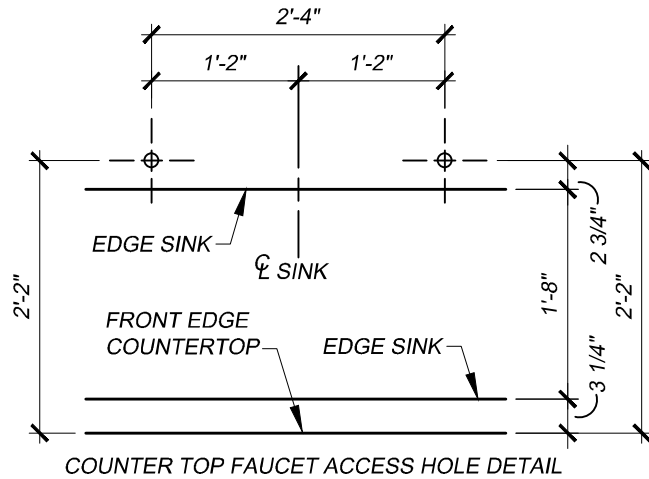
7' UNDERMOUNT GALLEY RAISED FAUCET DECK ISLAND INSTALLATION



* A TEMPLATE IS PROVIDED WITH UNDERMOUNT GALLEY SINKS FOR PROPER GALLEY OPENING IN COUNTERTOP.

* PATENT PENDING *

7' UNDERMOUNT GALLEY DECK FAUCET MOUNT ISLAND INSTALLATION

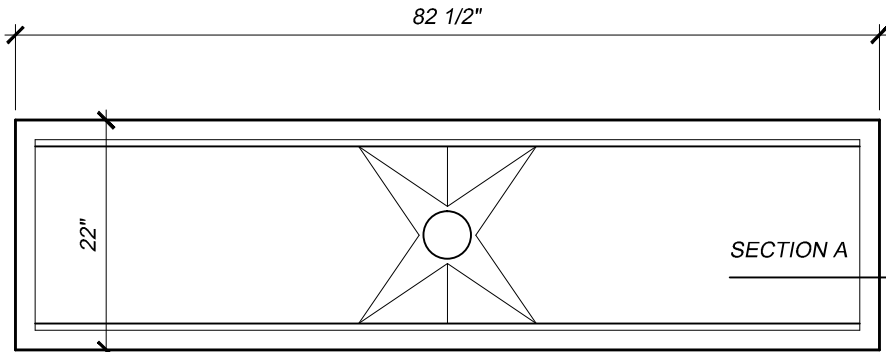
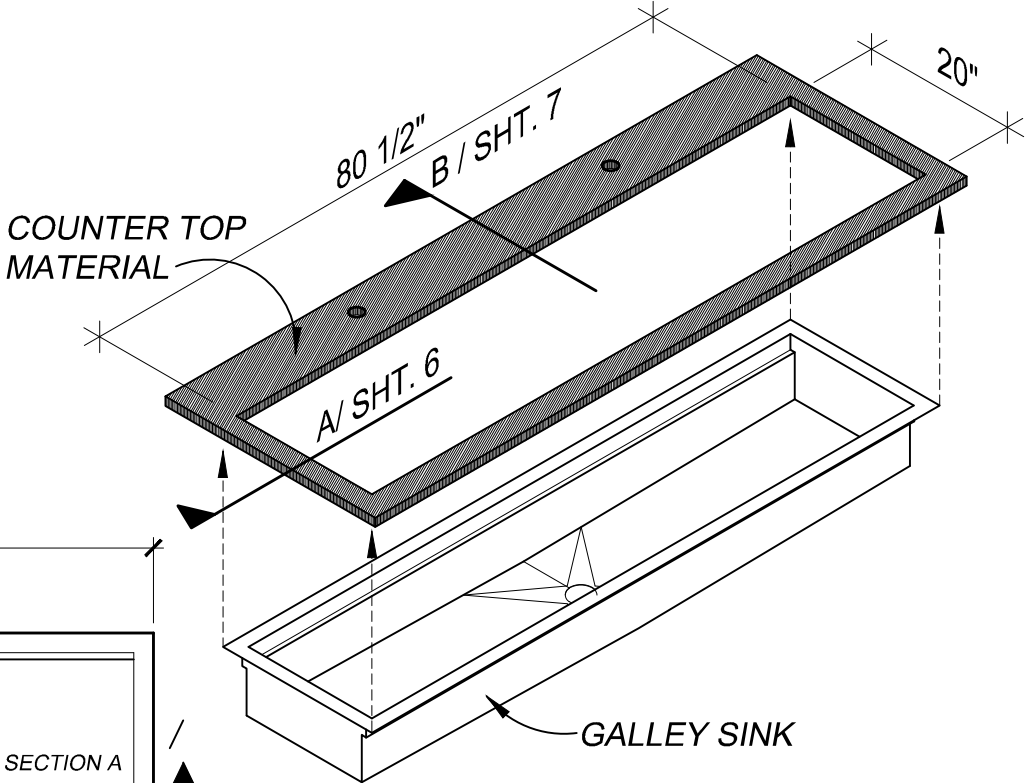


* A TEMPLATE IS PROVIDED WITH UNDERMOUNT GALLEY SINKS FOR PROPER GALLEY OPENING IN COUNTERTOP.

* PATENT PENDING *

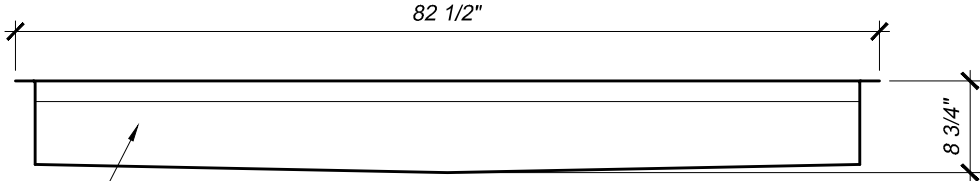
7' UNDERMOUNT GALLEY SINK DETAIL

SIGNATURE GALLEY ACCESSORY PACKAGE
(2) UPPER TIER CUTTING BOARDS
(2) LOWER TIER PLATFORMS WITH BOWL CUTOUTS
(2) 14" STAINLESS STEEL COLANDER'S
(2) 14" STAINLESS STEEL BOWL'S
(1) DRAIN RACK
(1) LOWER TIER CUTTING BOARD

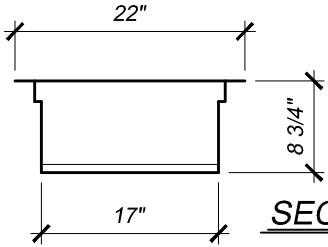


SINK PLAN

* A TEMPLATE IS PROVIDED WITH UNDERMOUNT GALLEY SINKS FOR PROPER GALLEY OPENING IN COUNTERTOP.



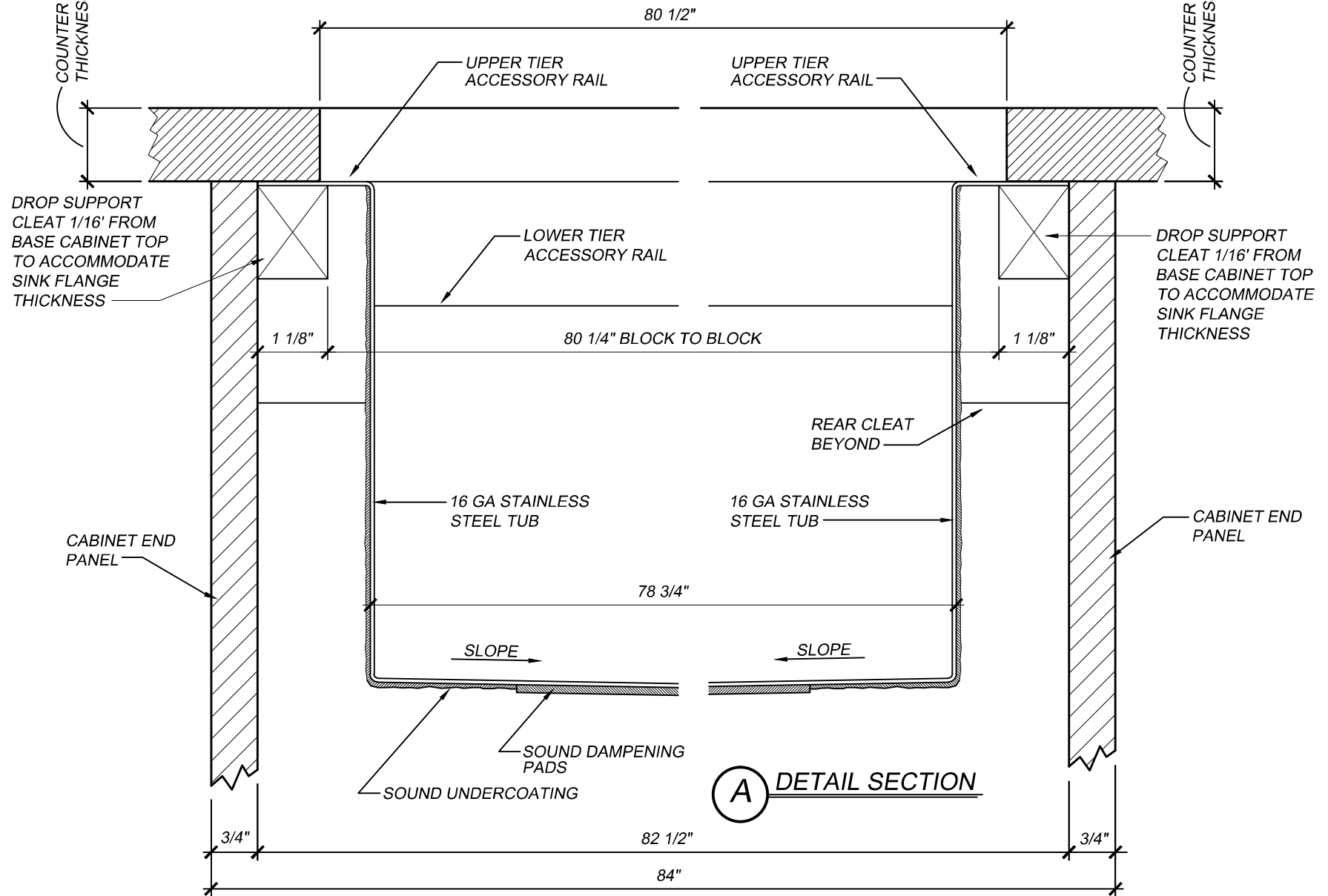
SECTION A



SECTION B

* PATENT PENDING *

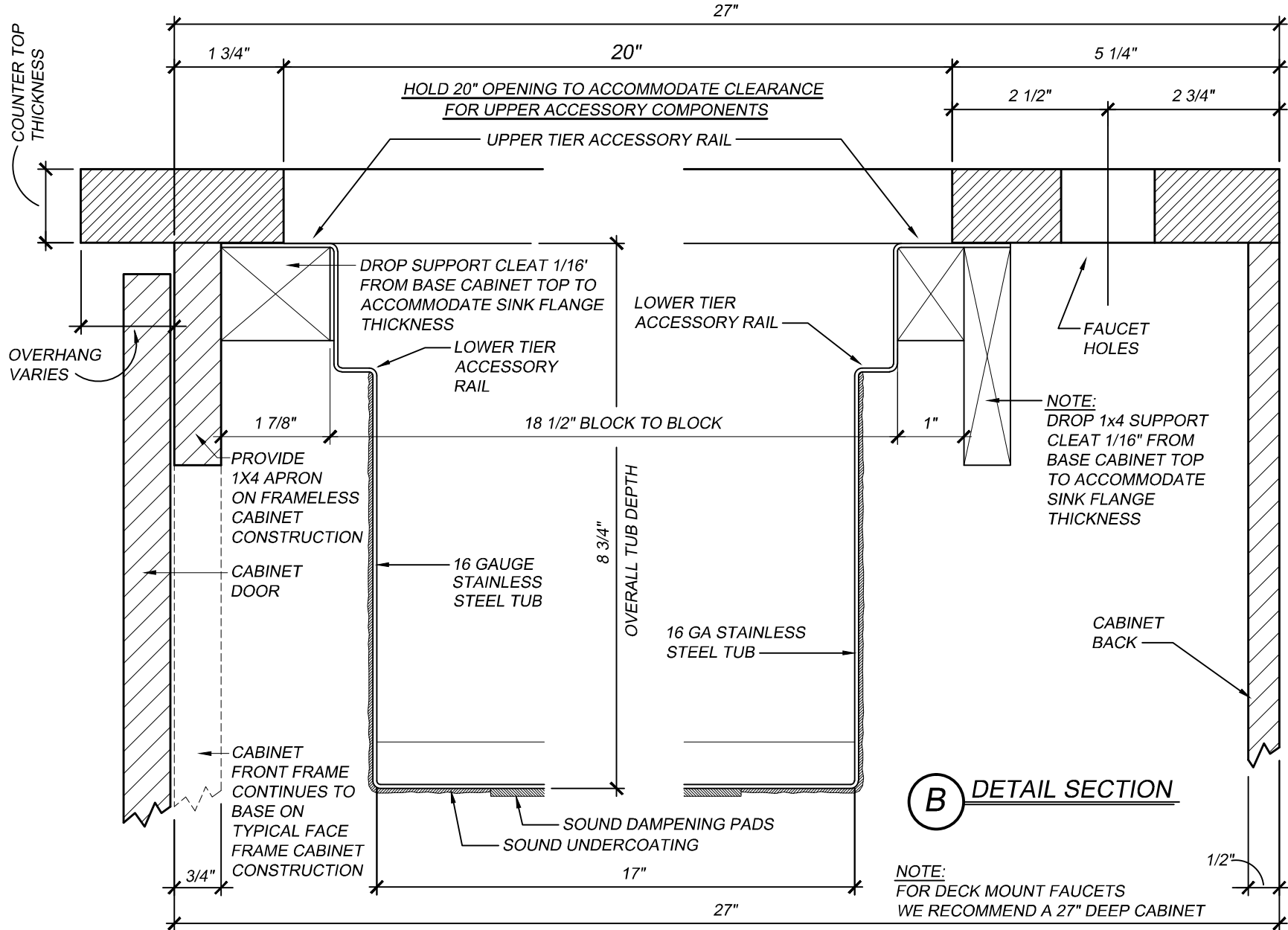
7' UNDERMOUNT GALLEY SINK DETAIL



(A) DETAIL SECTION

* PATENT PENDING *

7' UNDERMOUNT GALLEY SINK DETAIL



* PATENT PENDING *