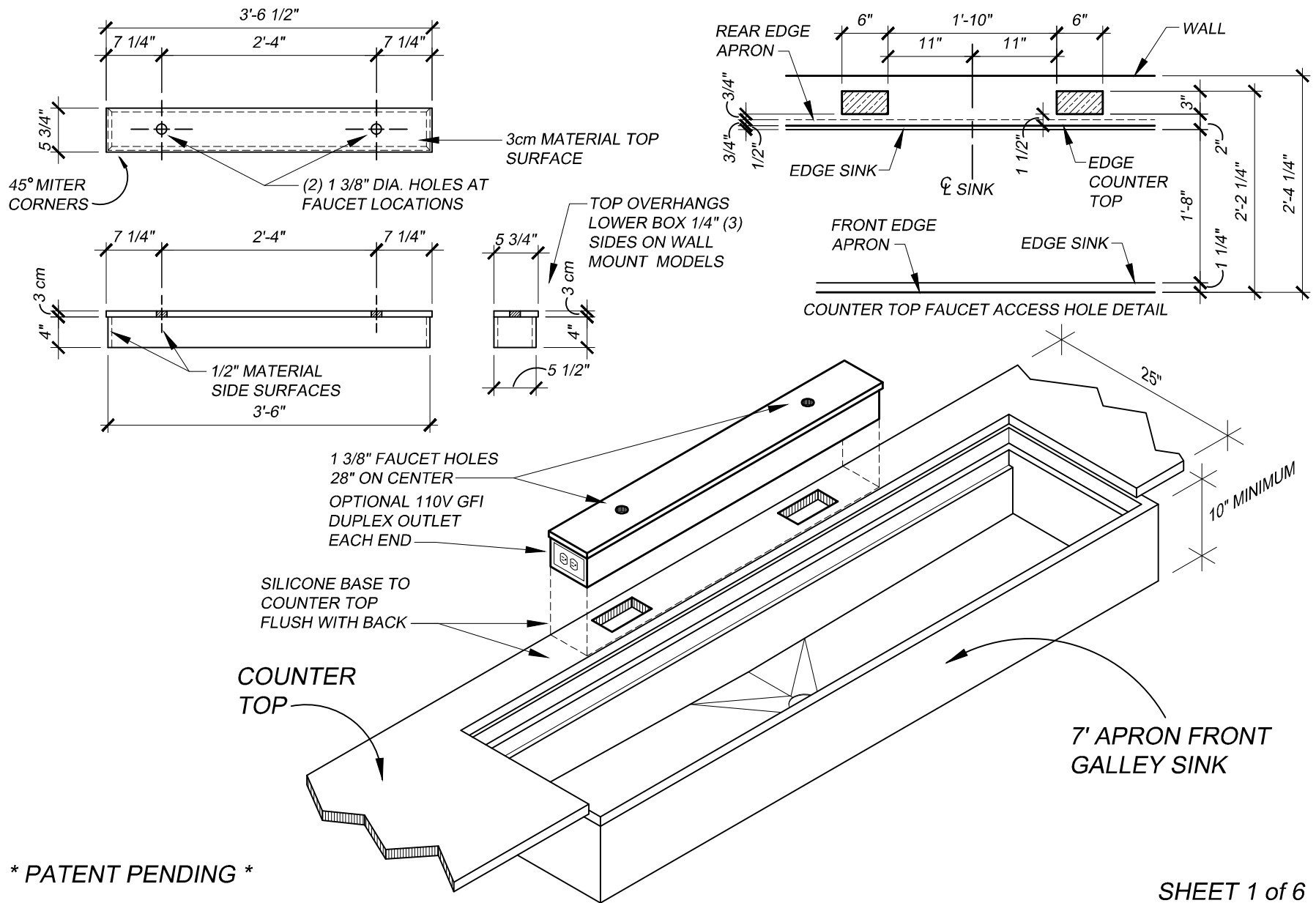
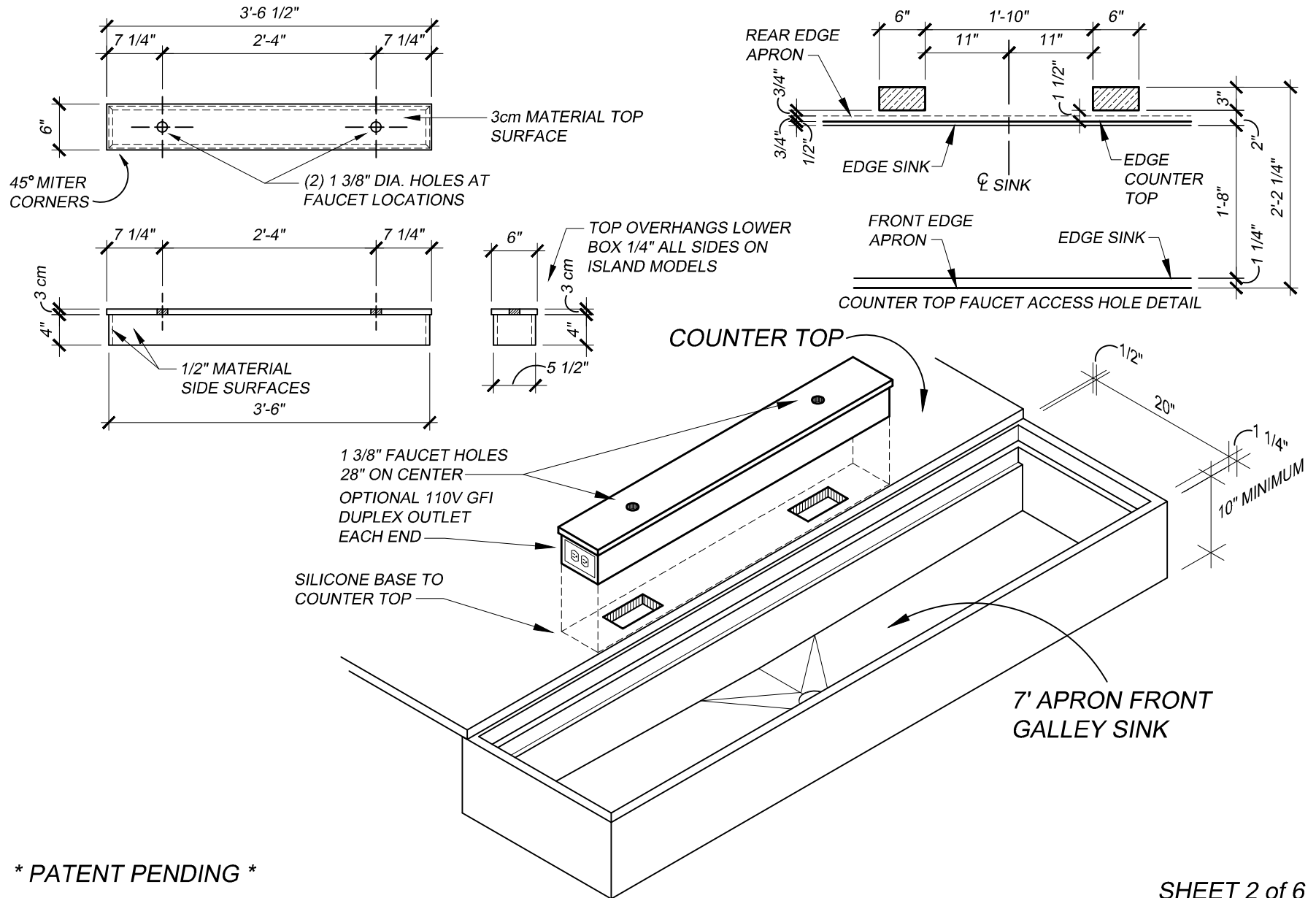


7' APRON FRONT GALLEY WITH RAISED FAUCET DECK FOR INSTALLATION AGAINST A WALL



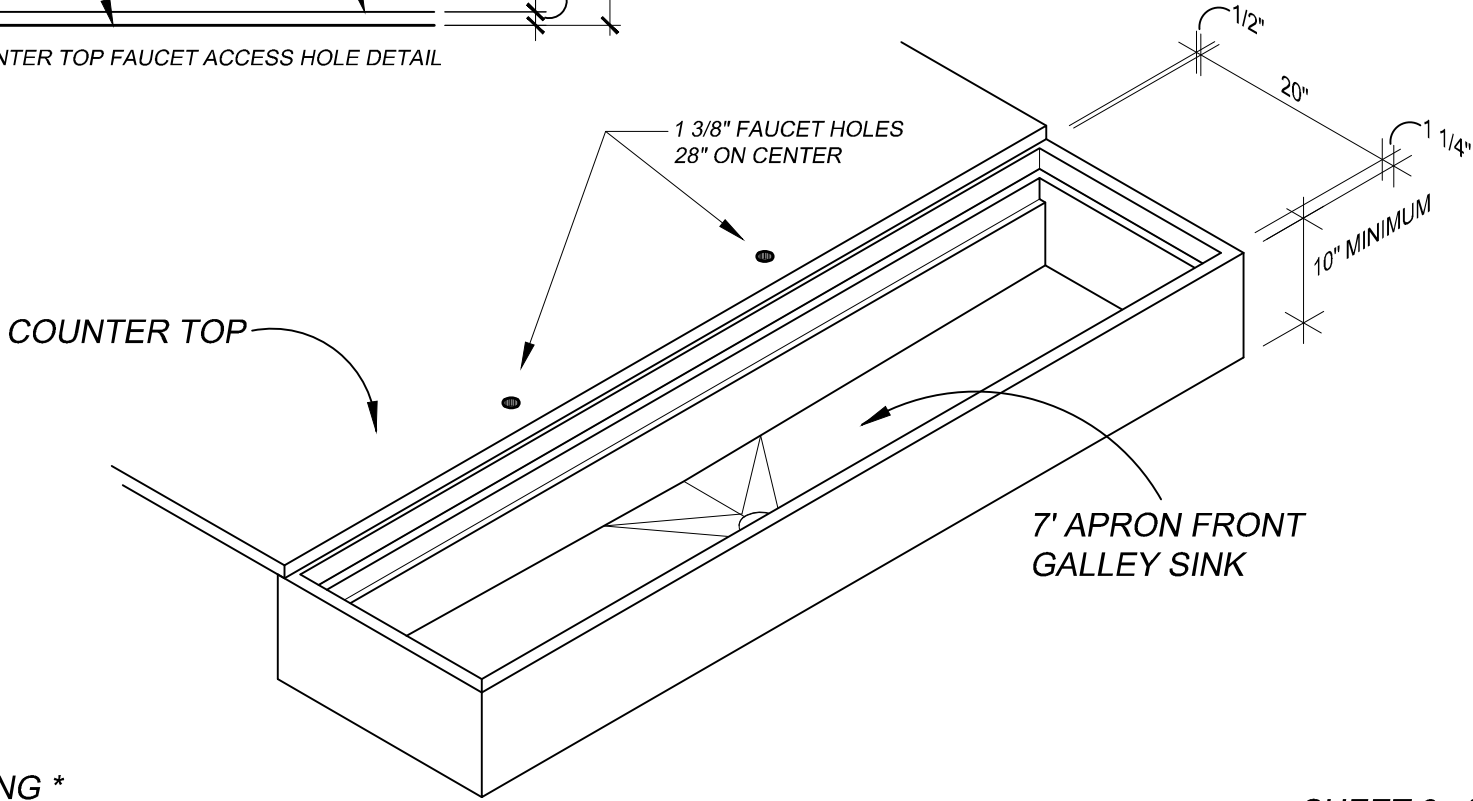
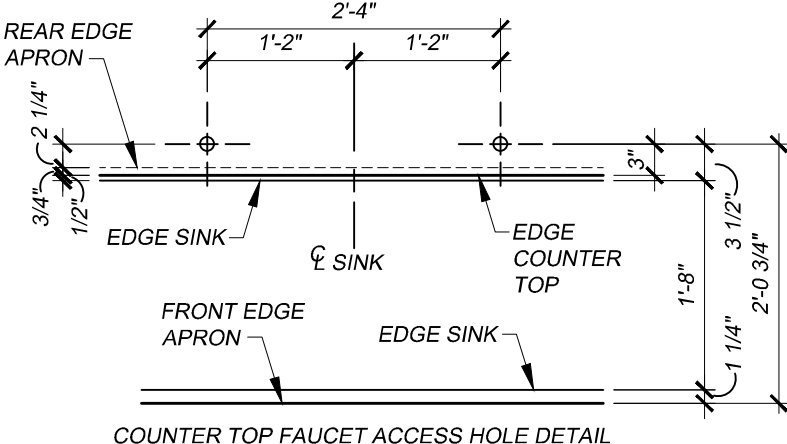
* PATENT PENDING *

7' APRON FRONT GALLEY RAISED FAUCET DECK ISLAND INSTALLATION



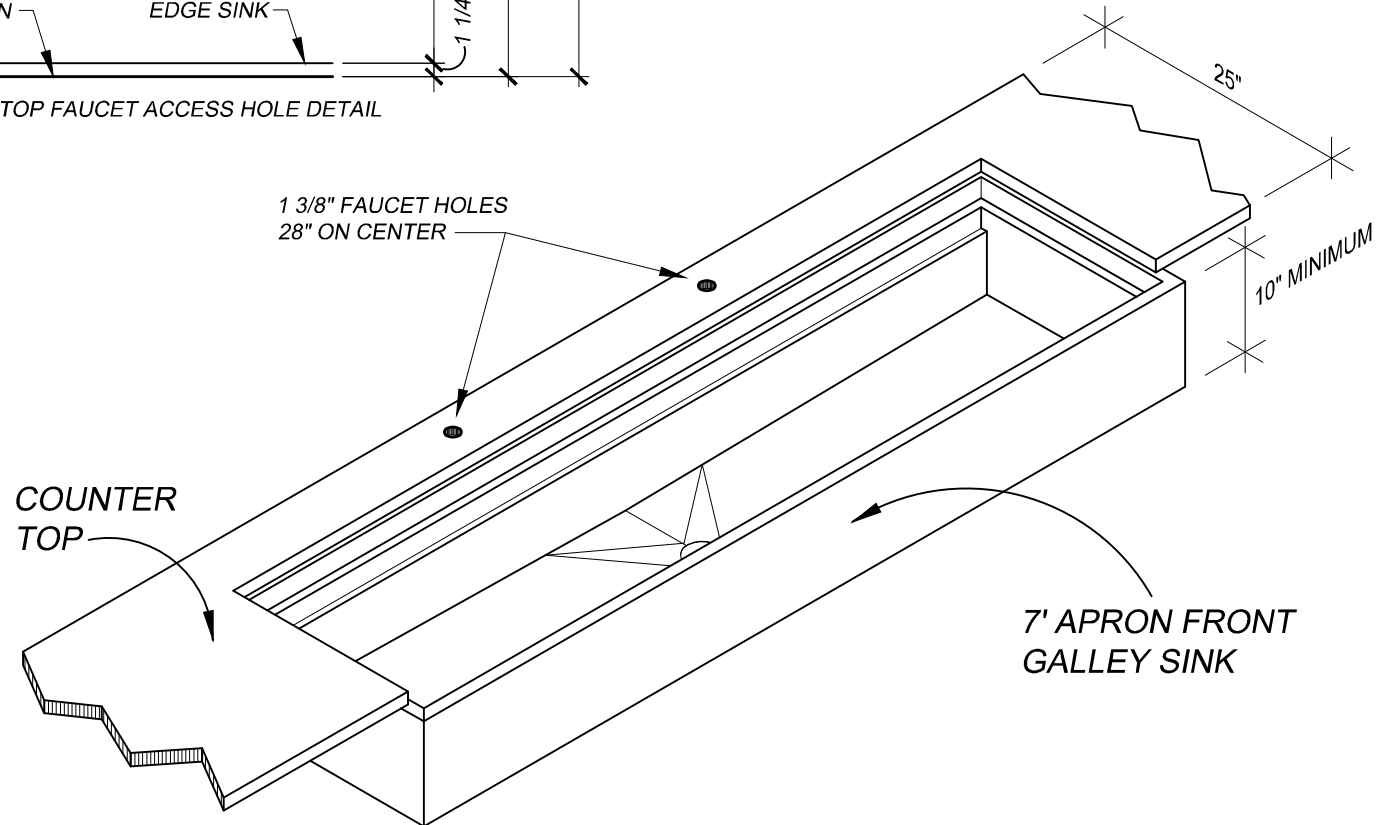
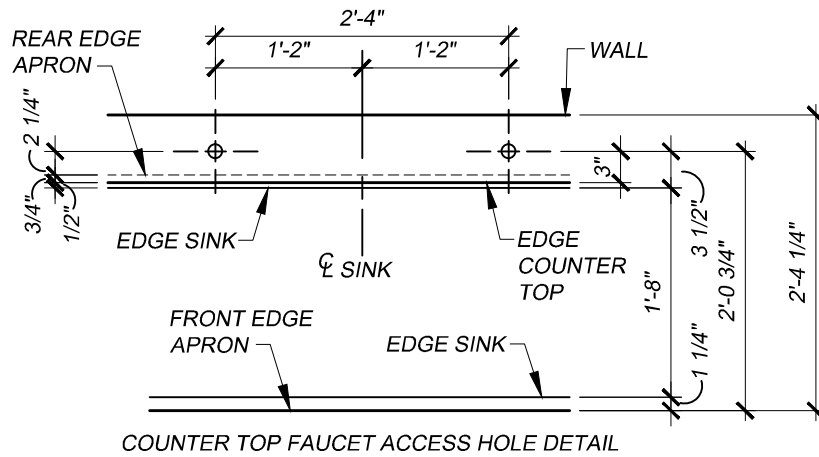
* PATENT PENDING *

7' APRON FRONT GALLEY DECK FAUCET MOUNT ISLAND INSTALLATION



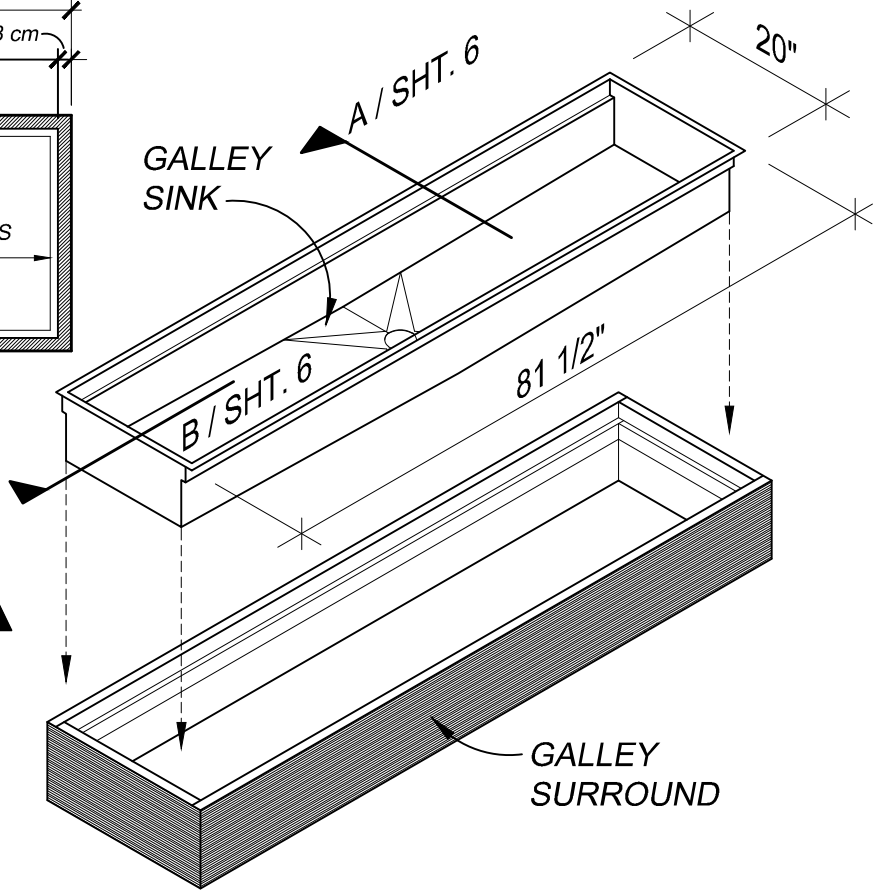
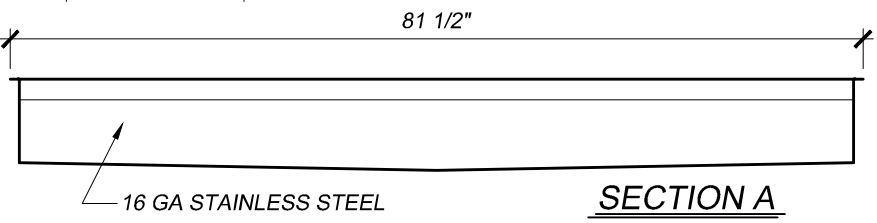
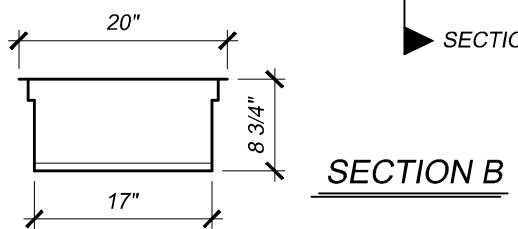
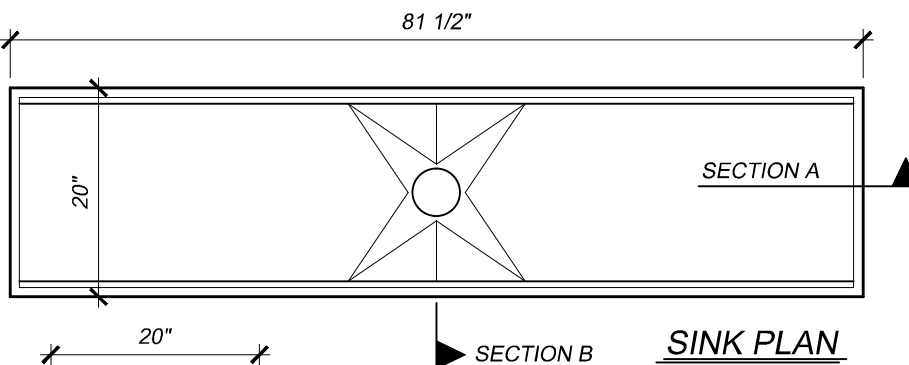
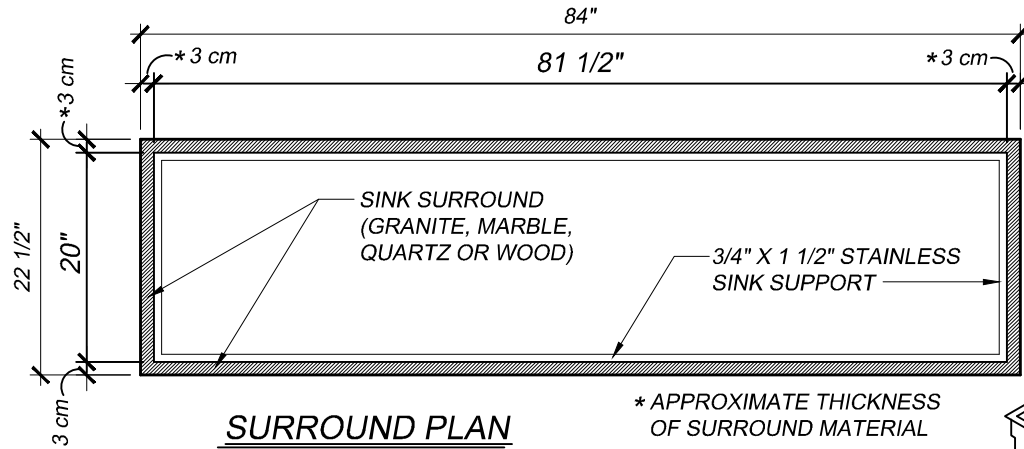
* PATENT PENDING *

7' APRON FRONT GALLEY DECK FAUCET MOUNT FOR INSTALLATION AGAINST A WALL



* PATENT PENDING *

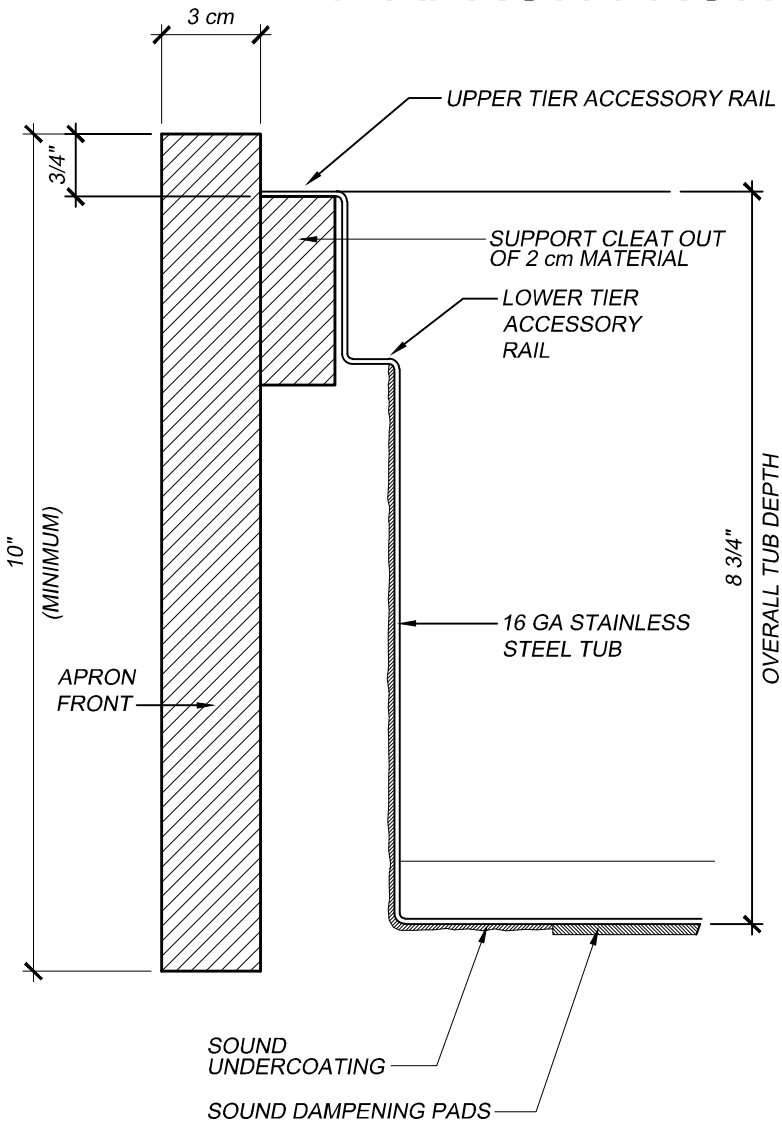
7' APRON FRONT GALLEY SINK DETAIL



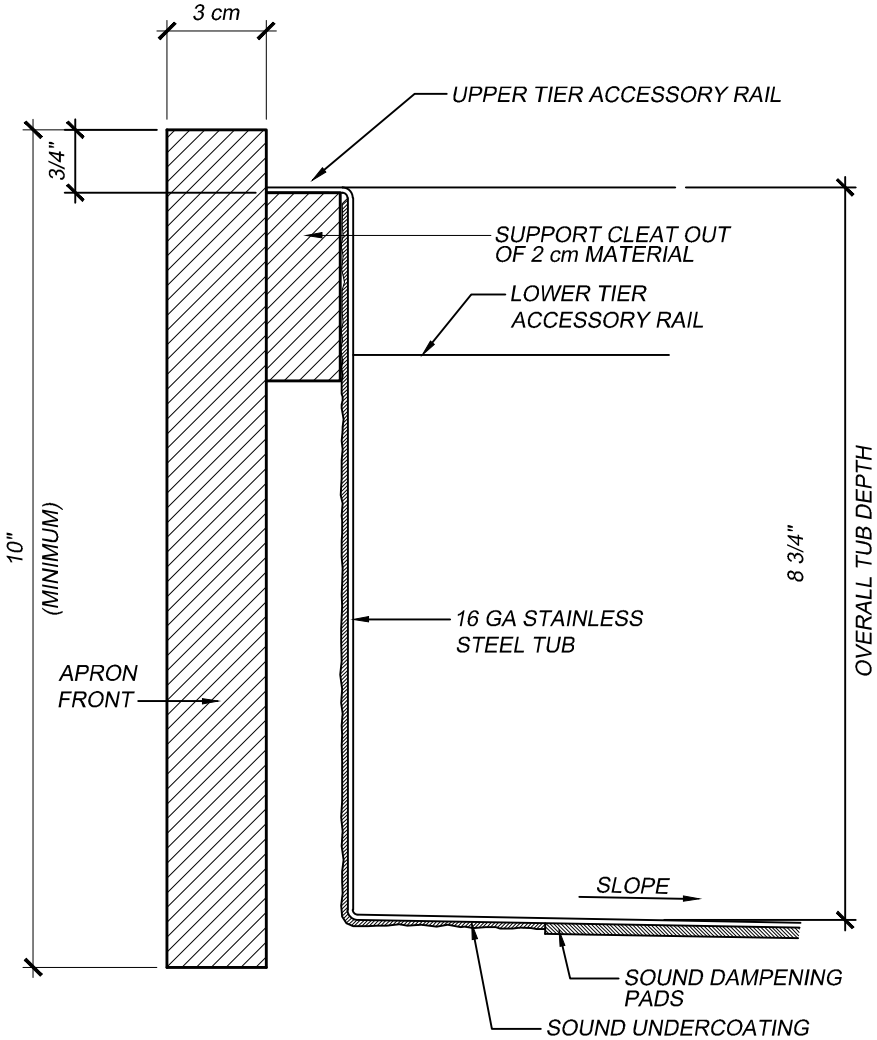
* PATENT PENDING *

SIGNATURE GALLEY ACCESSORY PACKAGE
(2) UPPER TIER CUTTING BOARDS
(2) LOWER TIER PLATFORMS WITH BOWL CUTOUTS
(2) 14" STAINLESS STEEL COLANDERS
(2) 14" STAINLESS STEEL BOWLS
(1) DRAIN RACK
(1) LOWER TIER CUTTING BOARD

7' APRON FRONT GALLEY SINK DETAIL



(A) DETAIL SECTION



(B) DETAIL SECTION

* PATENT PENDING *