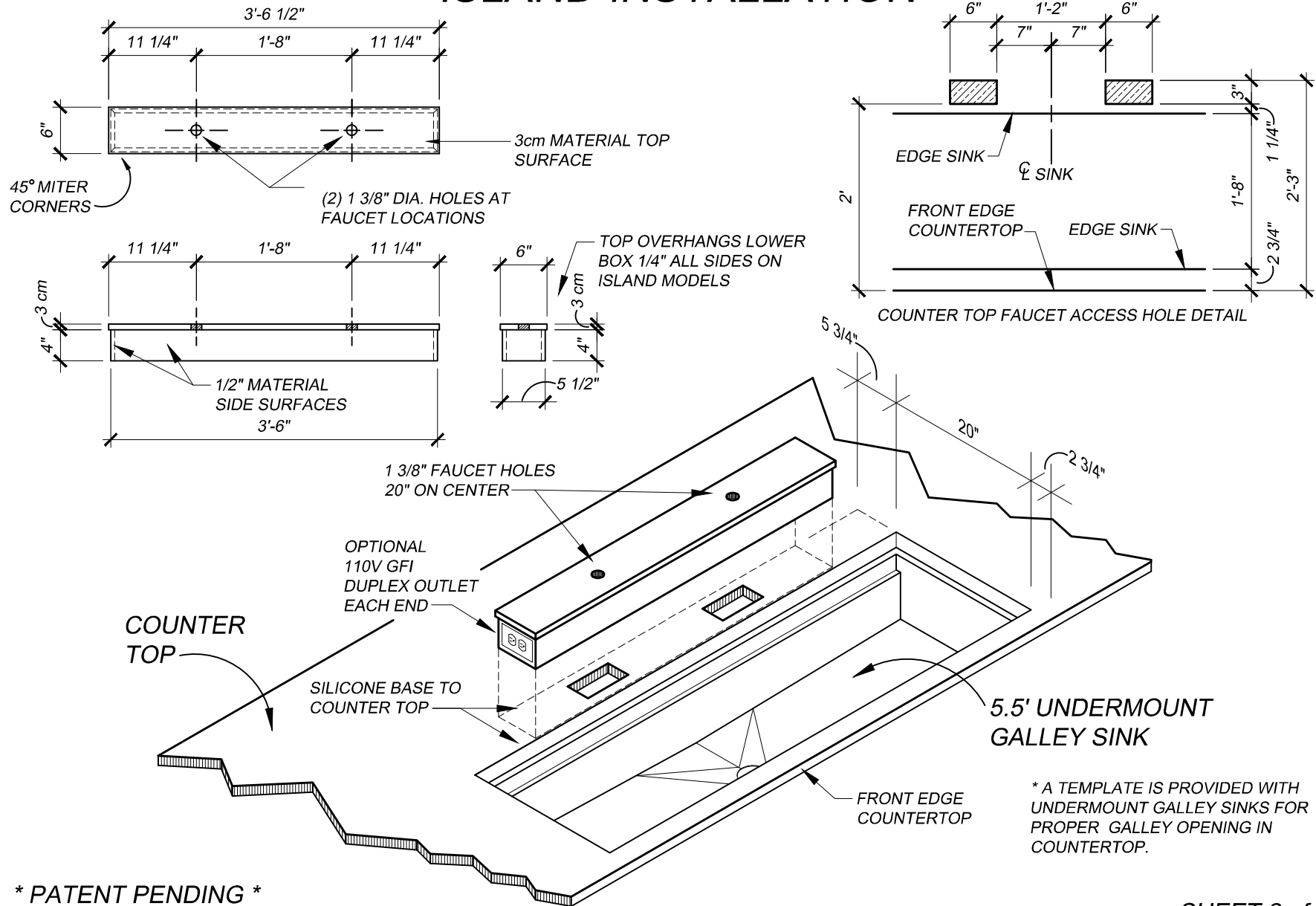


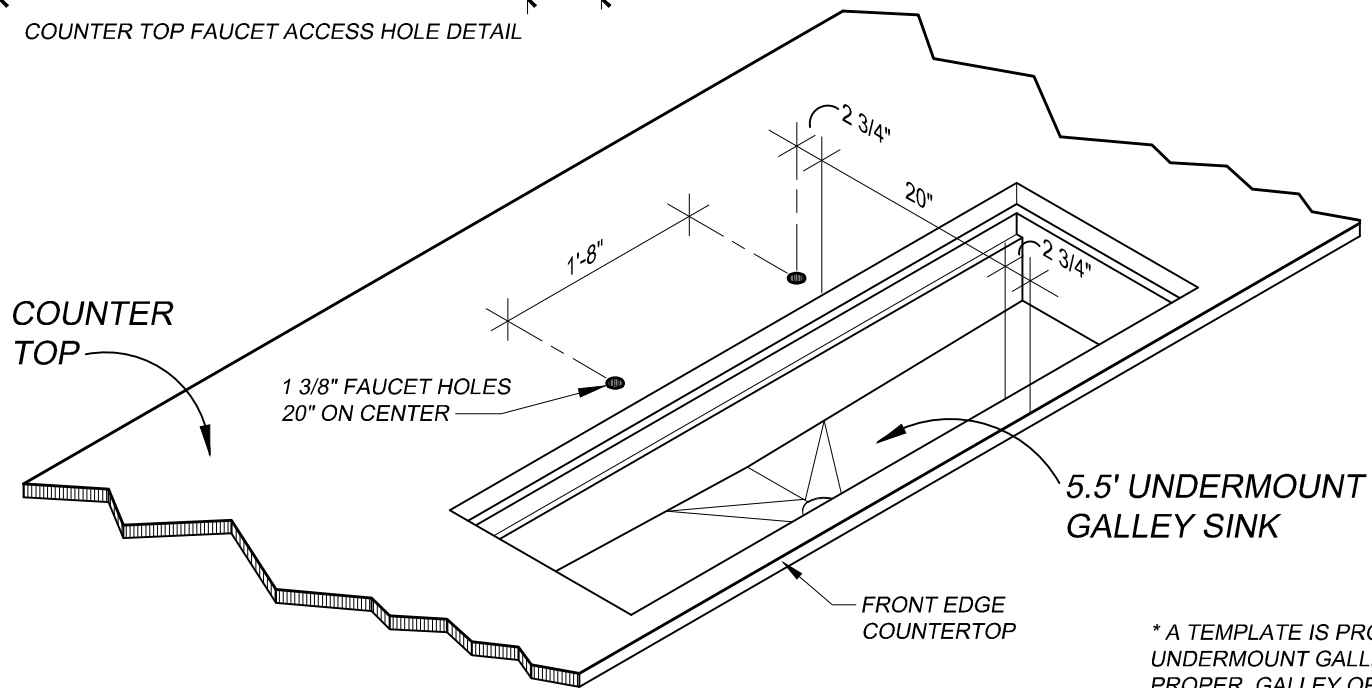
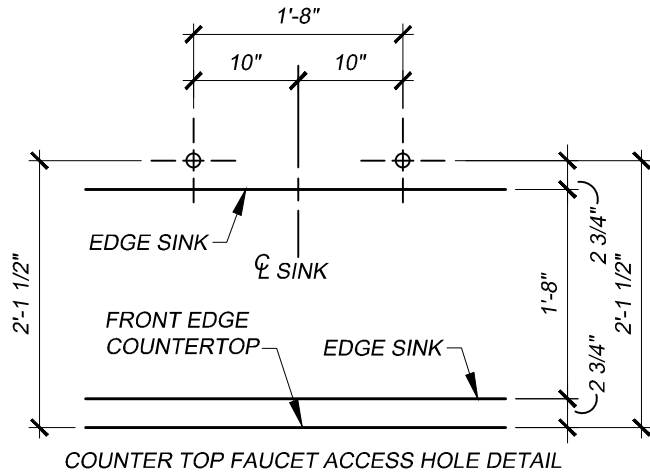
5.5' UNDERMOUNT GALLEY RAISED FAUCET DECK ISLAND INSTALLATION



* A TEMPLATE IS PROVIDED WITH UNDERMOUNT GALLEY SINKS FOR PROPER GALLEY OPENING IN COUNTERTOP.

* PATENT PENDING *

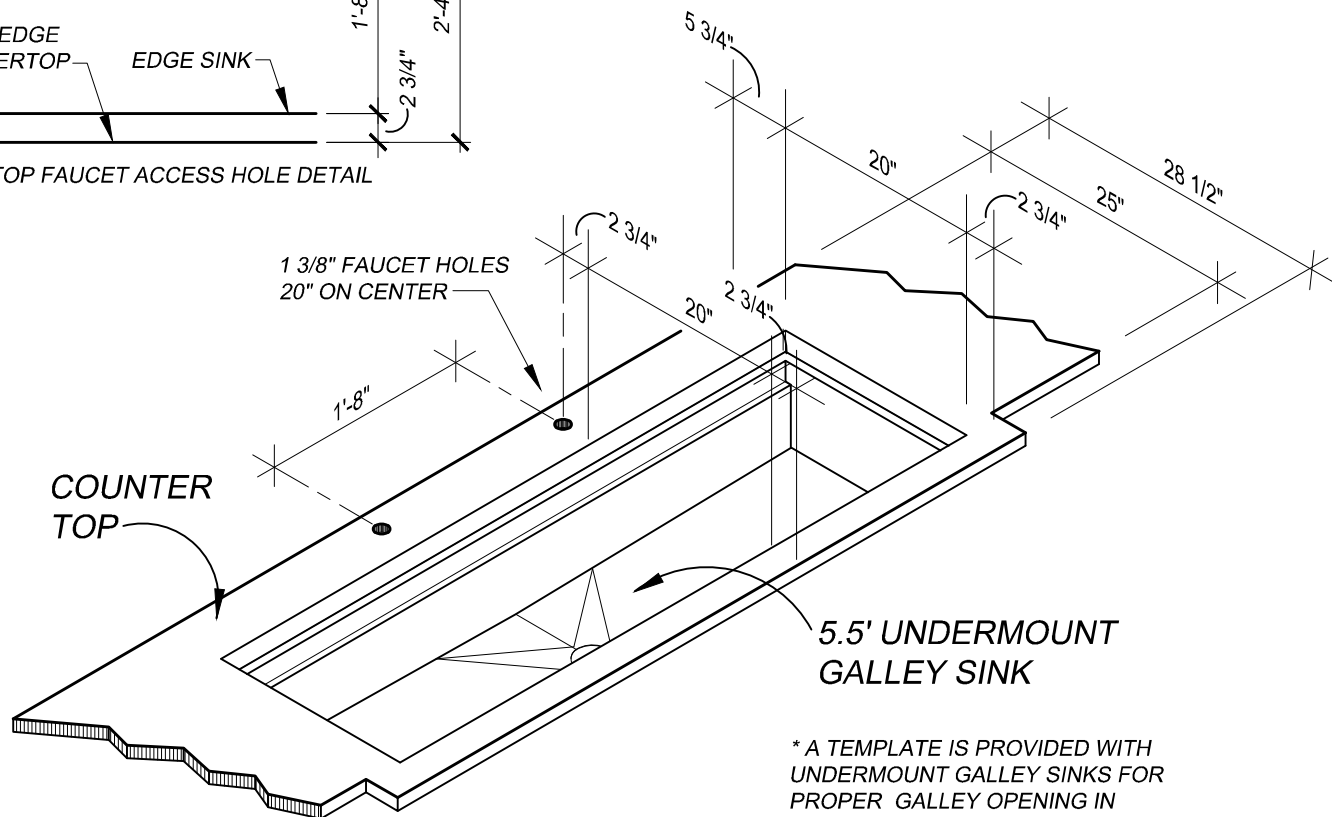
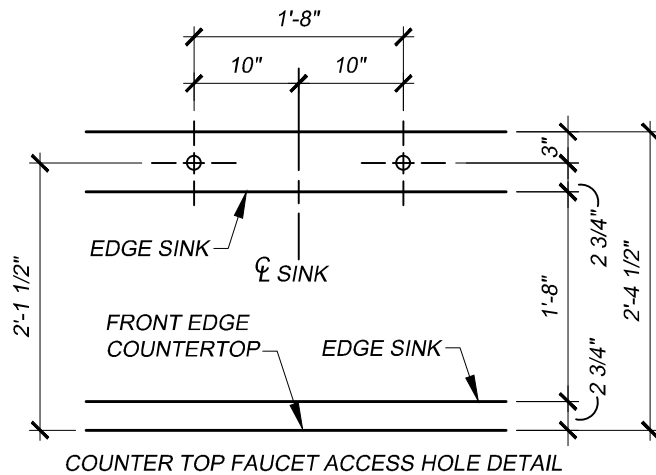
5.5' UNDERMOUNT GALLEY DECK FAUCET MOUNT ISLAND INSTALLATION



* A TEMPLATE IS PROVIDED WITH UNDERMOUNT GALLEY SINKS FOR PROPER GALLEY OPENING IN COUNTERTOP.

* PATENT PENDING *

5.5' UNDERMOUNT GALLEY DECK FAUCET MOUNT FOR INSTALLATION AGAINST A WALL



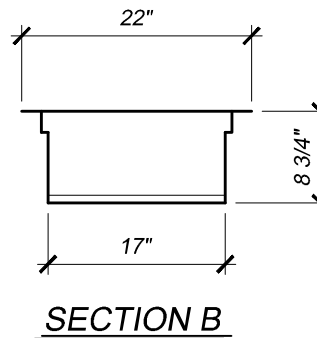
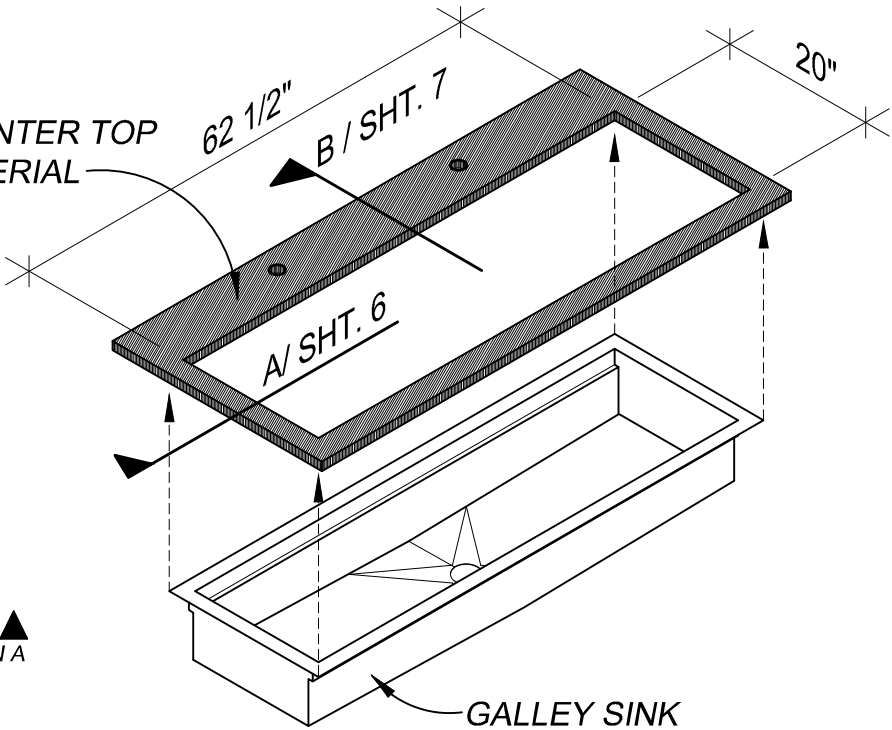
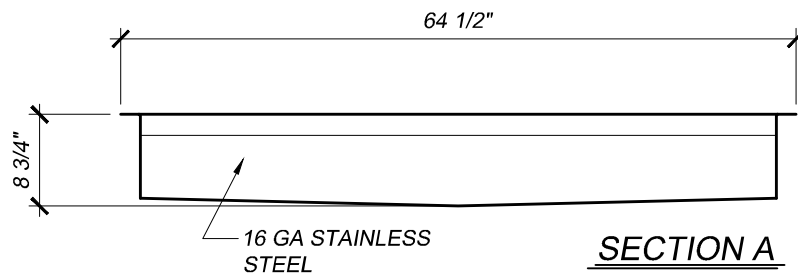
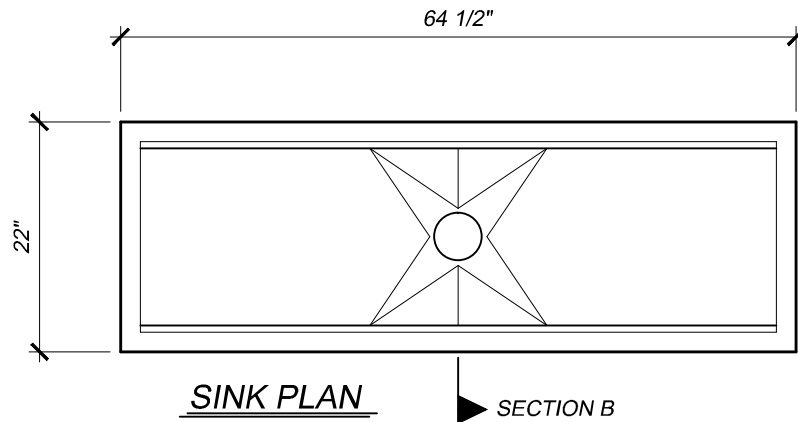
* A TEMPLATE IS PROVIDED WITH UNDERMOUNT GALLEY SINKS FOR PROPER GALLEY OPENING IN COUNTERTOP.

* PATENT PENDING *

5.5' UNDERMOUNT GALLEY SINK DETAIL

SIGNATURE GALLEY ACCESSORY PACKAGE

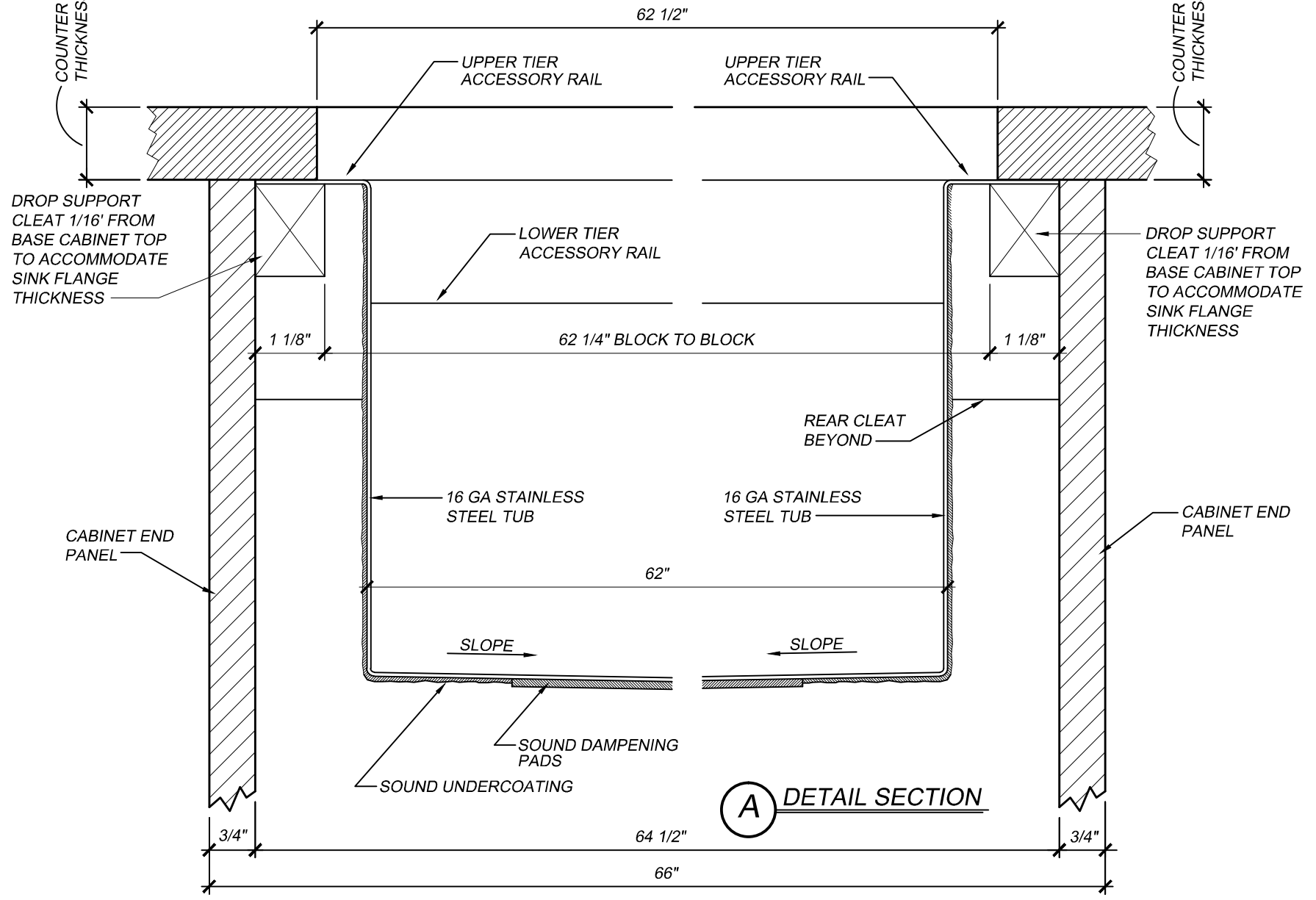
- (2) UPPER TIER CUTTING BOARDS
- (2) LOWER TIER PLATFORMS WITH BOWL CUTOUTS
- (2) 14" STAINLESS STEEL COLANDERS
- (2) 14" STAINLESS STEEL BOWLS
- (1) DRAIN RACK
- (1) LOWER TIER CUTTING BOARD



* A TEMPLATE IS PROVIDED WITH UNDERMOUNT GALLEY SINKS FOR PROPER GALLEY OPENING IN COUNTERTOP.

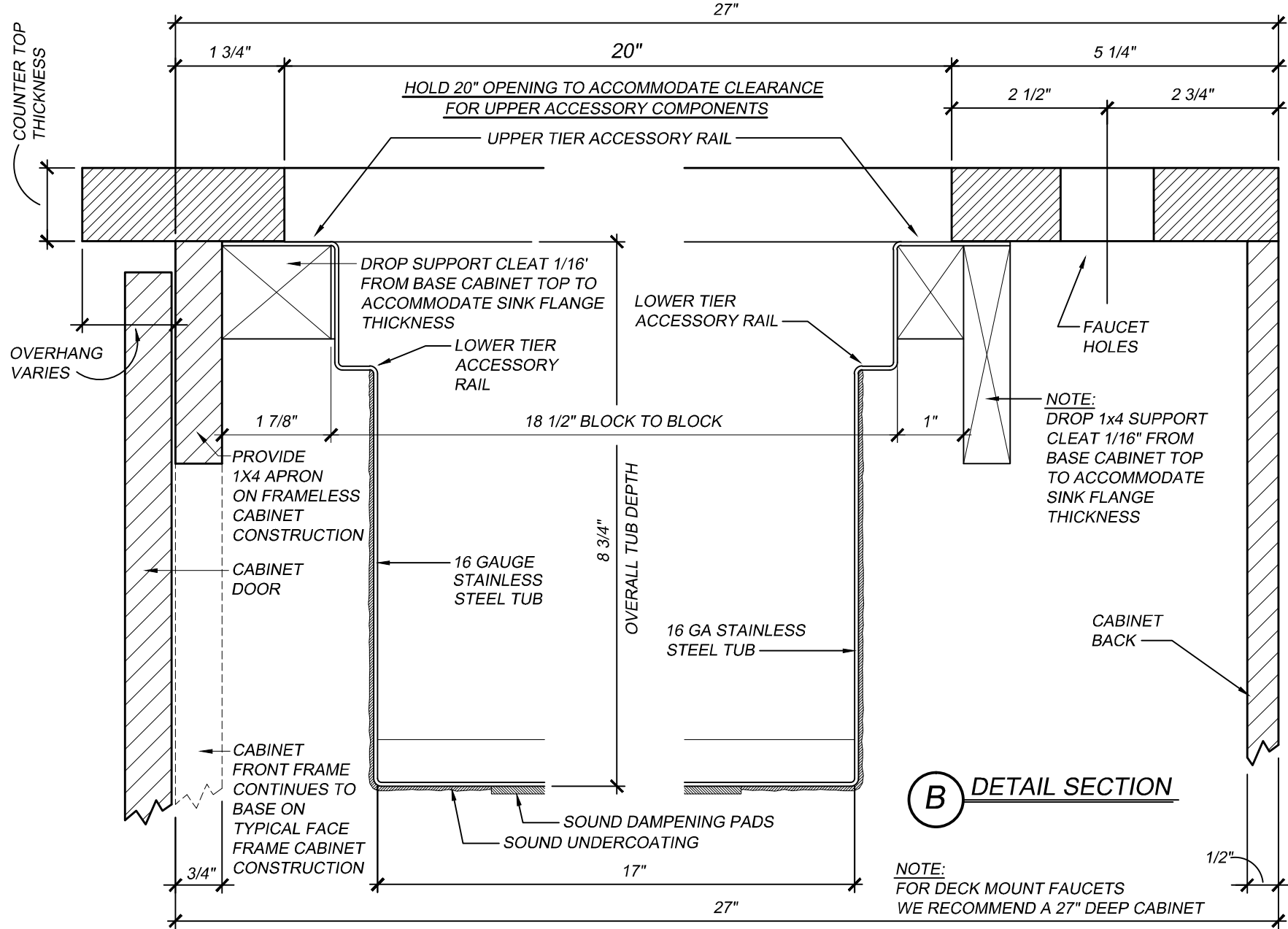
* PATENT PENDING *

5.5' UNDERMOUNT GALLEY SINK DETAIL



* PATENT PENDING *

5.5' UNDERMOUNT GALLEY SINK DETAIL



* PATENT PENDING *