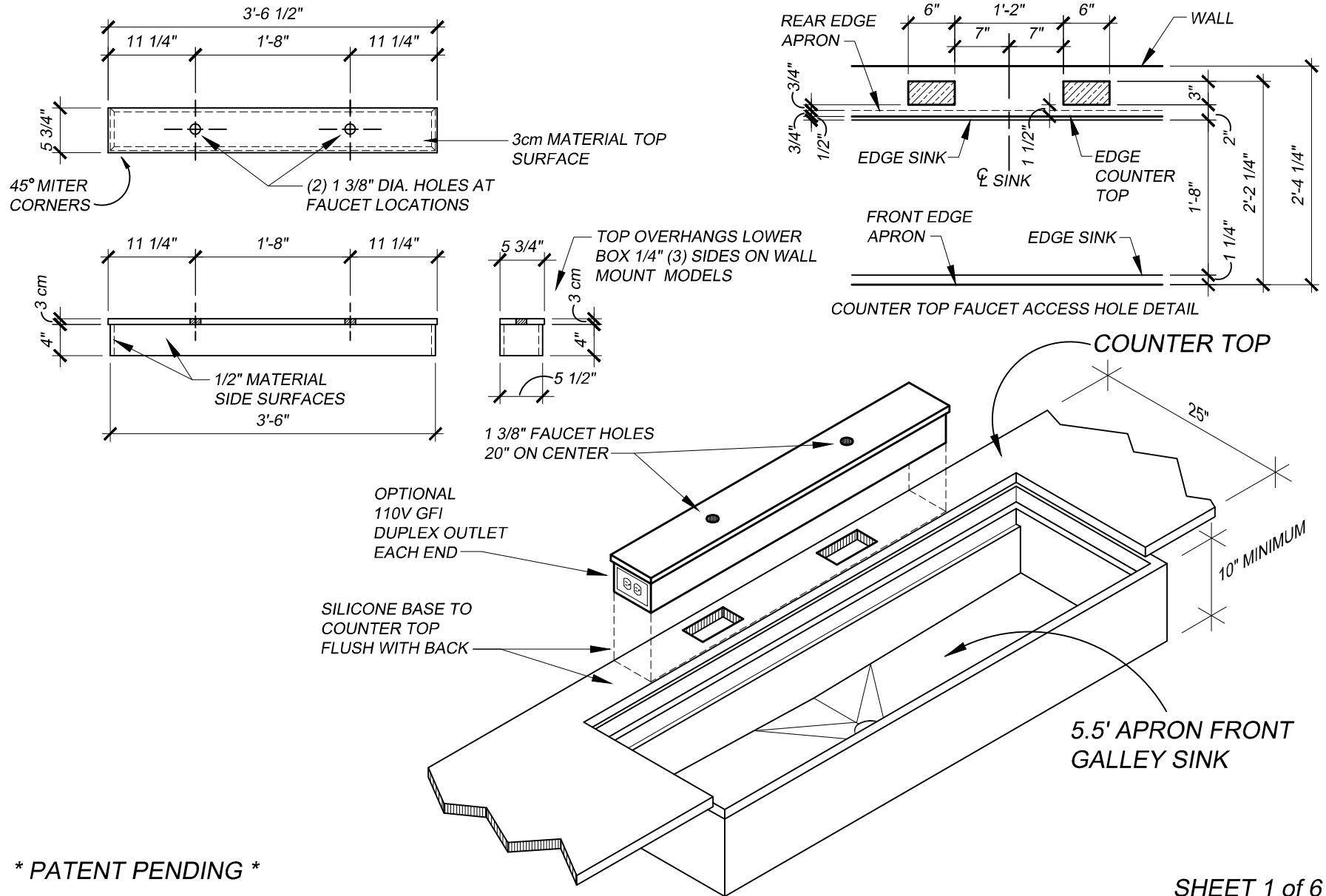
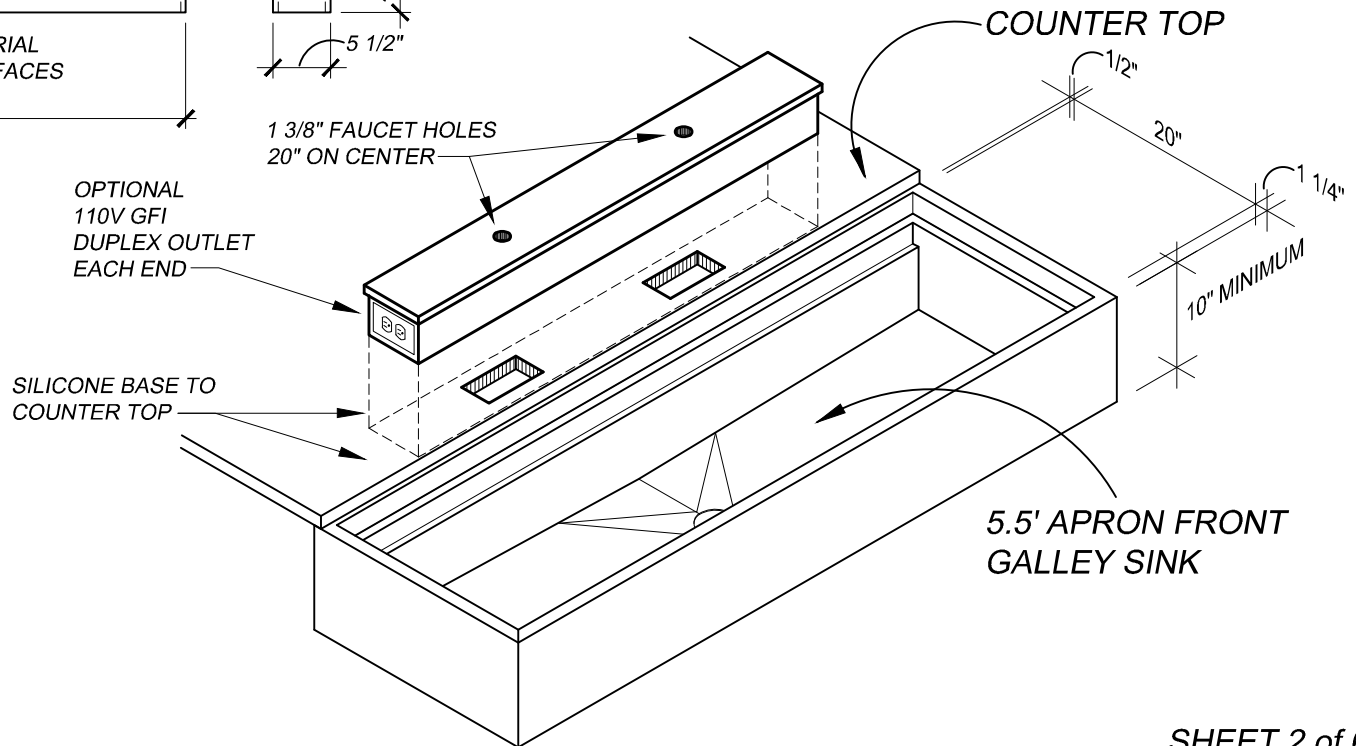
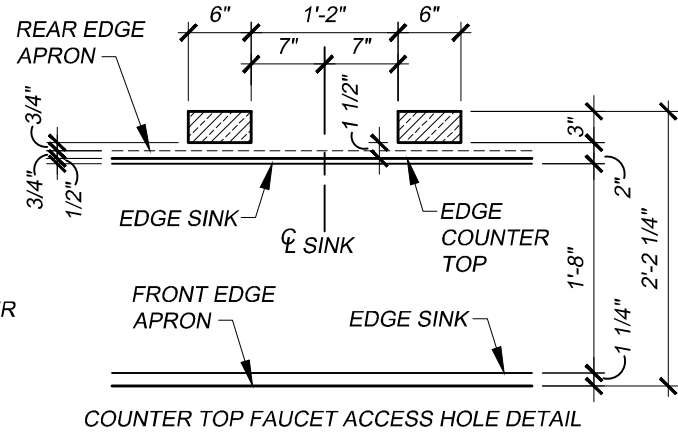
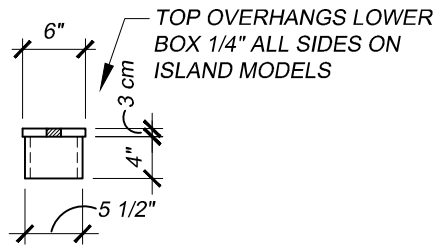
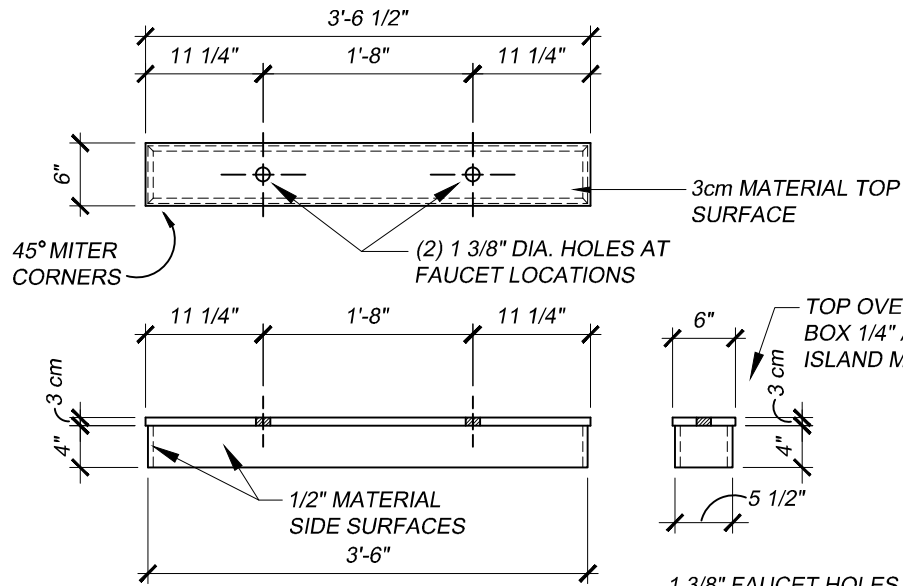


5.5' APRON FRONT GALLEY WITH RAISED FAUCET DECK FOR INSTALLATION AGAINST A WALL



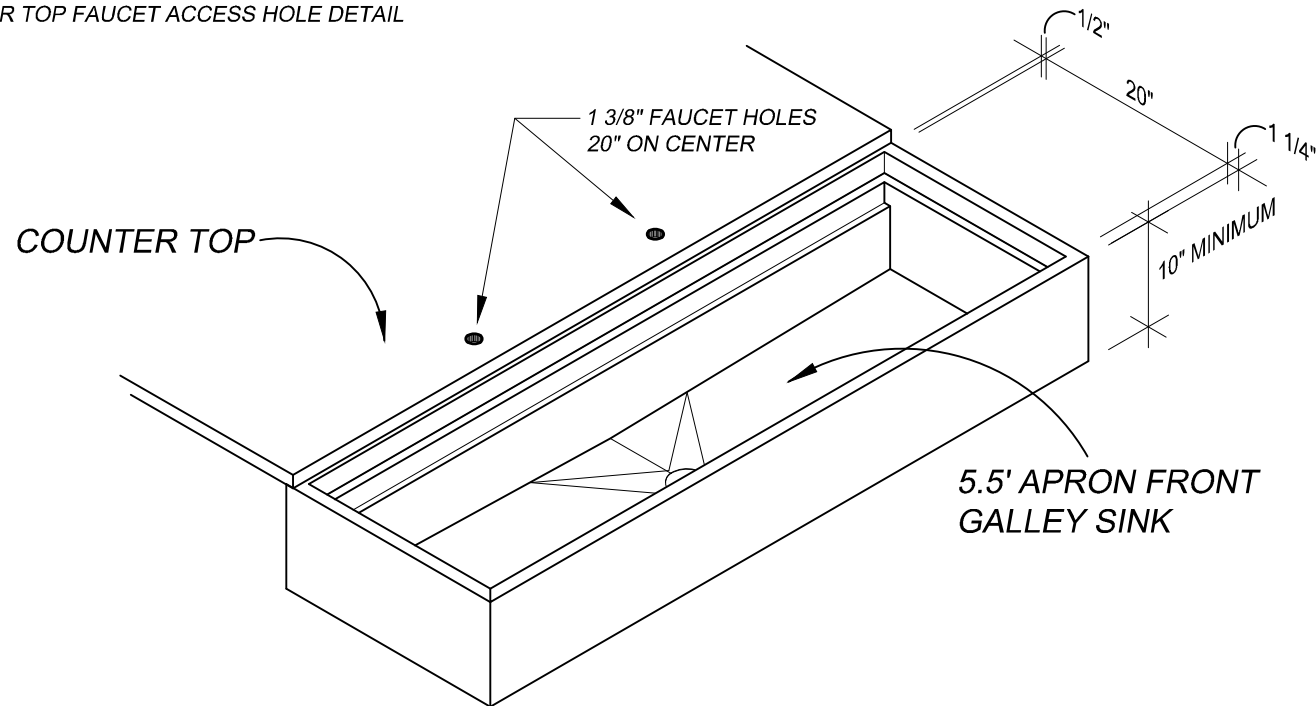
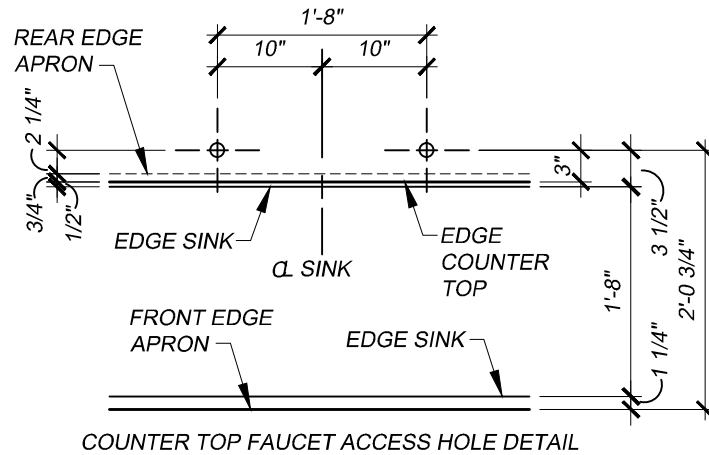
* PATENT PENDING *

5.5' APRON FRONT GALLEY RAISED FAUCET DECK ISLAND INSTALLATION



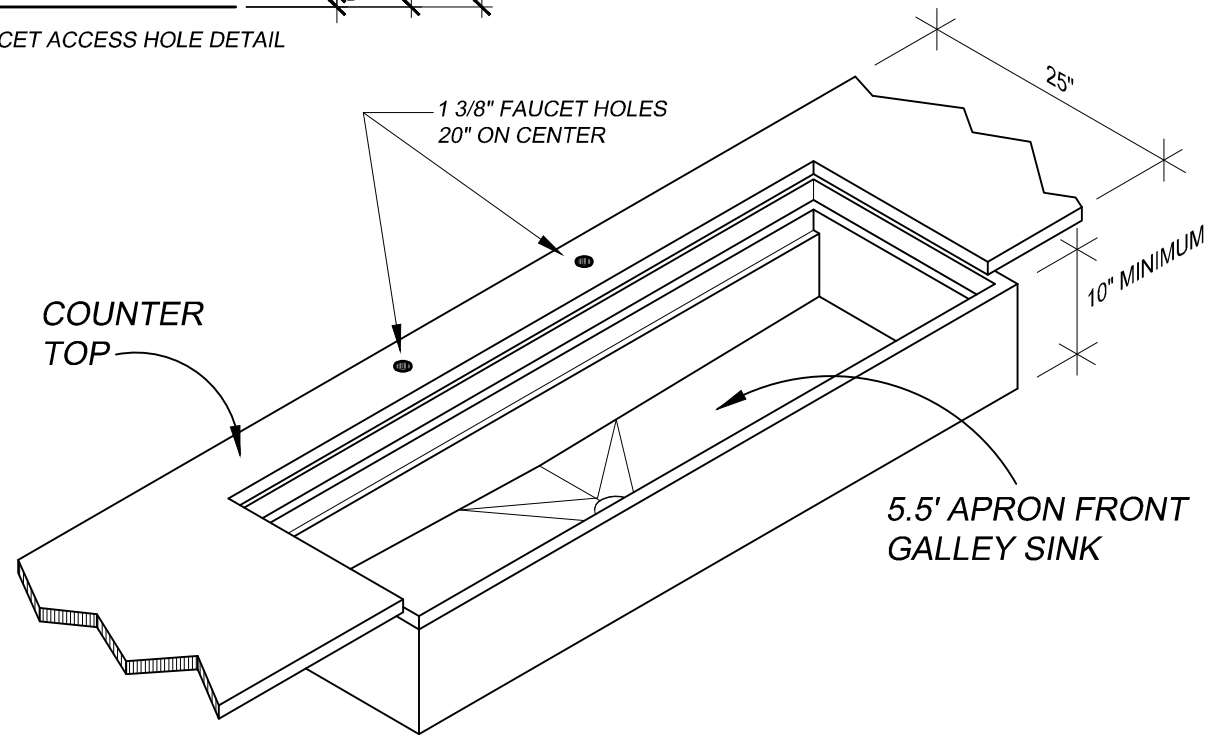
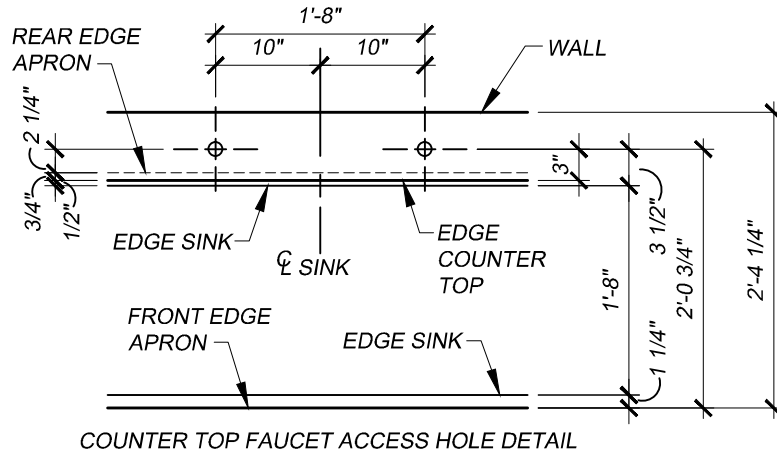
* PATENT PENDING *

5.5' APRON FRONT GALLEY DECK FAUCET MOUNT ISLAND INSTALLATION



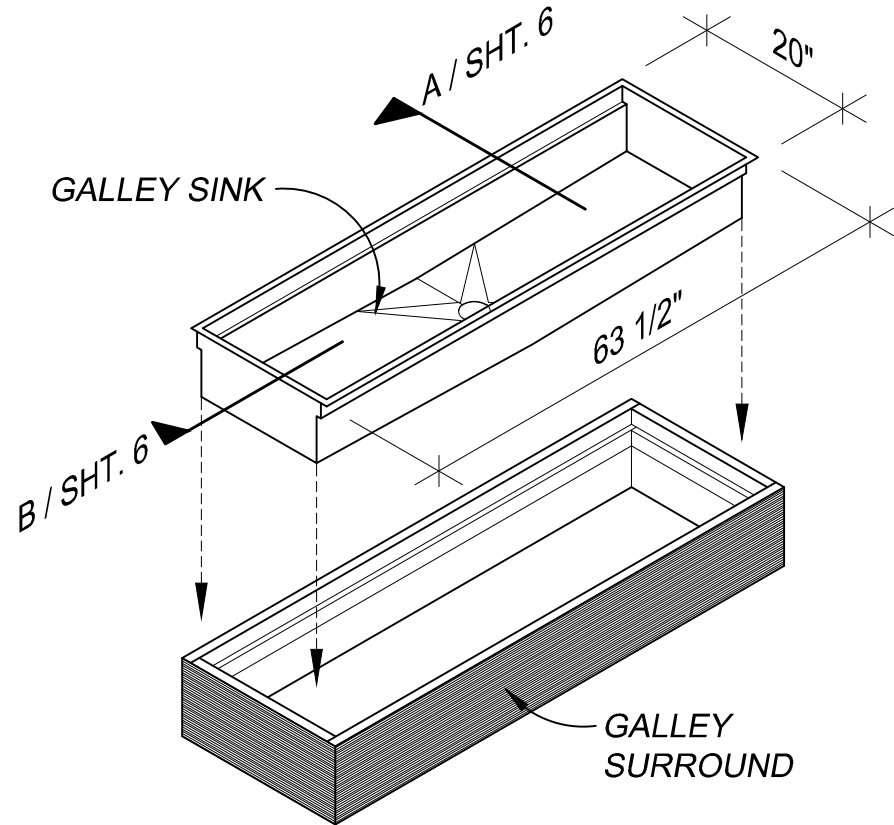
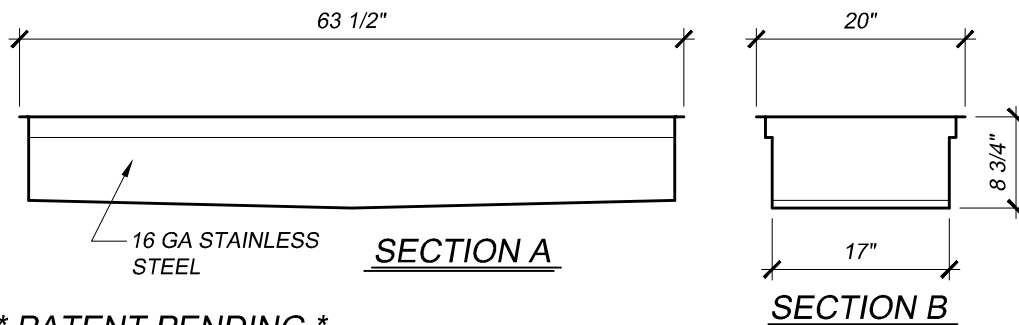
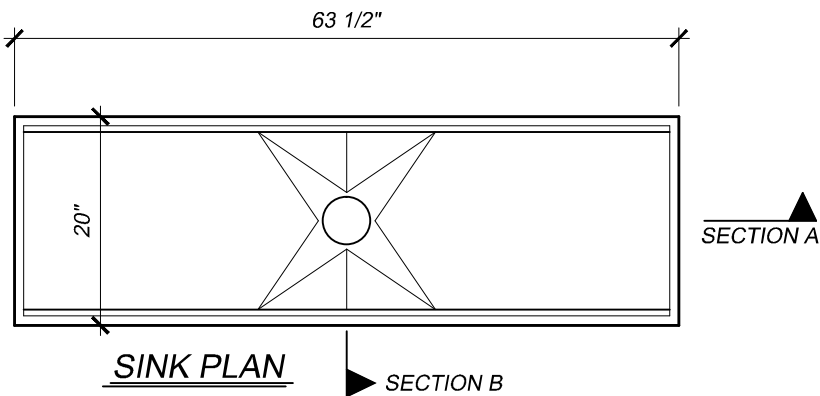
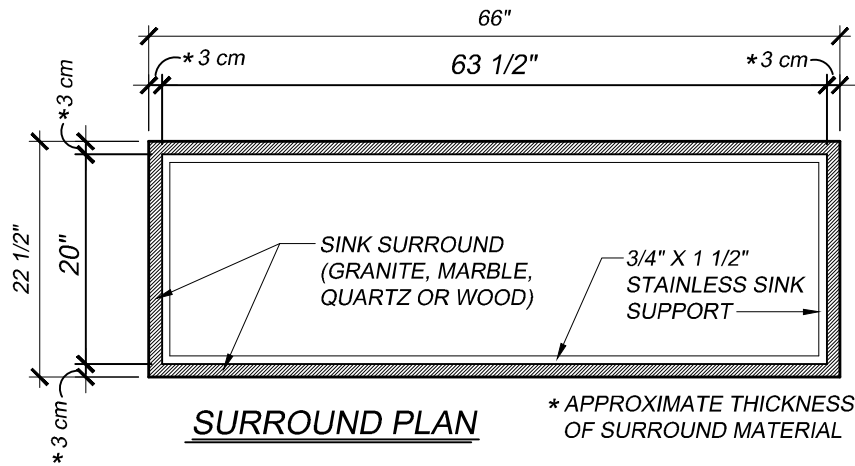
* PATENT PENDING *

5.5' APRON FRONT GALLEY DECK FAUCET MOUNT FOR INSTALLATION AGAINST A WALL



* PATENT PENDING *

5.5' APRON FRONT GALLEY SINK DETAIL

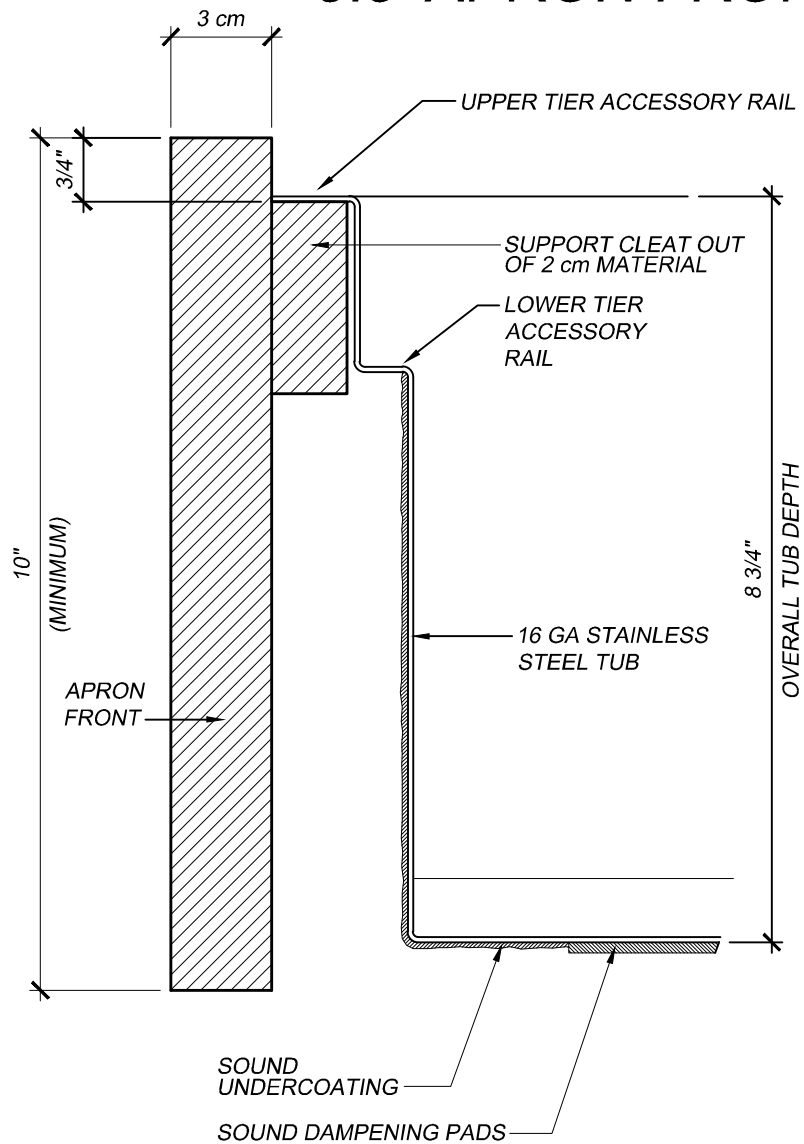


SIGNATURE GALLEY ACCESSORY PACKAGE

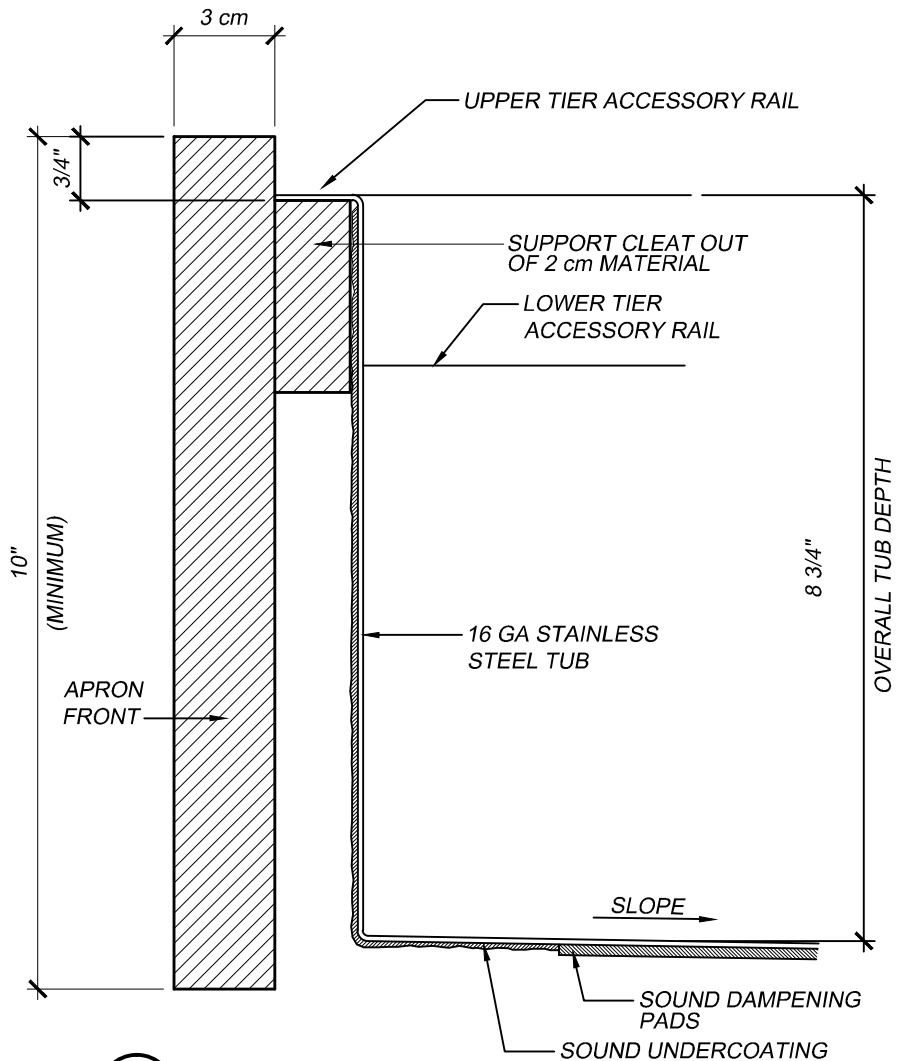
- (2) UPPER TIER CUTTING BOARDS
- (2) LOWER TIER PLATFORMS WITH BOWL CUTOUTS
- (2) 14" STAINLESS STEEL COLANDERS
- (2) 14" STAINLESS STEEL BOWL'S
- (1) DRAIN RACK
- (1) LOWER TIER CUTTING BOARD

* PATENT PENDING *

5.5' APRON FRONT GALLEY SINK DETAIL



A DETAIL SECTION



B DETAIL SECTION

* PATENT PENDING *