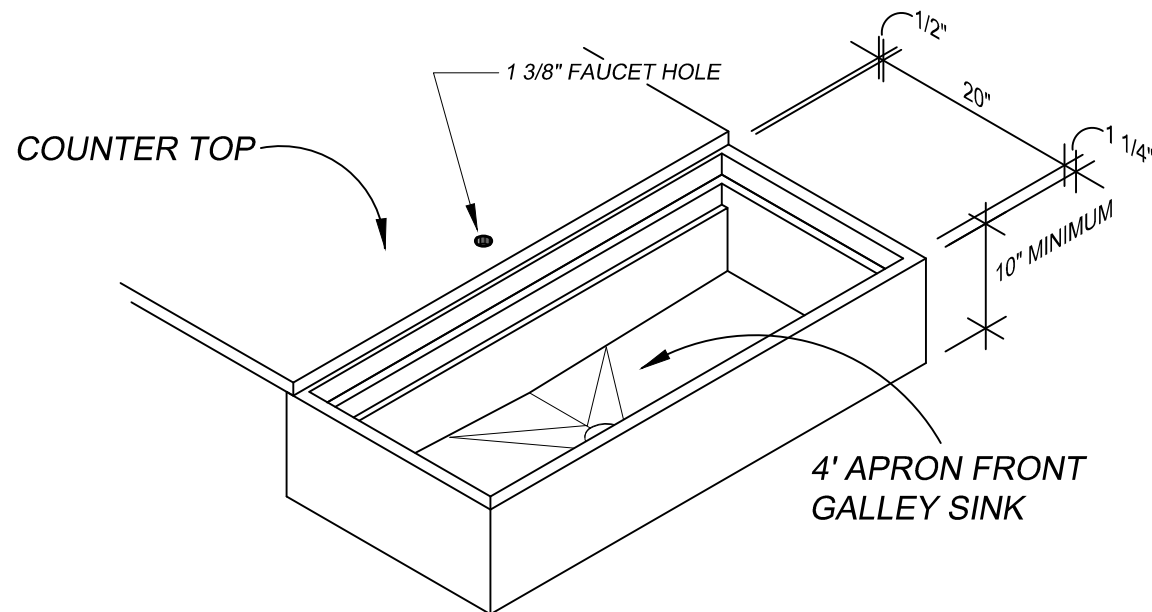
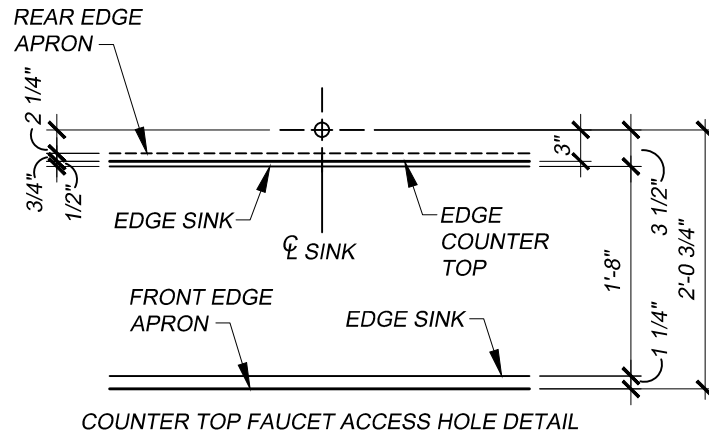
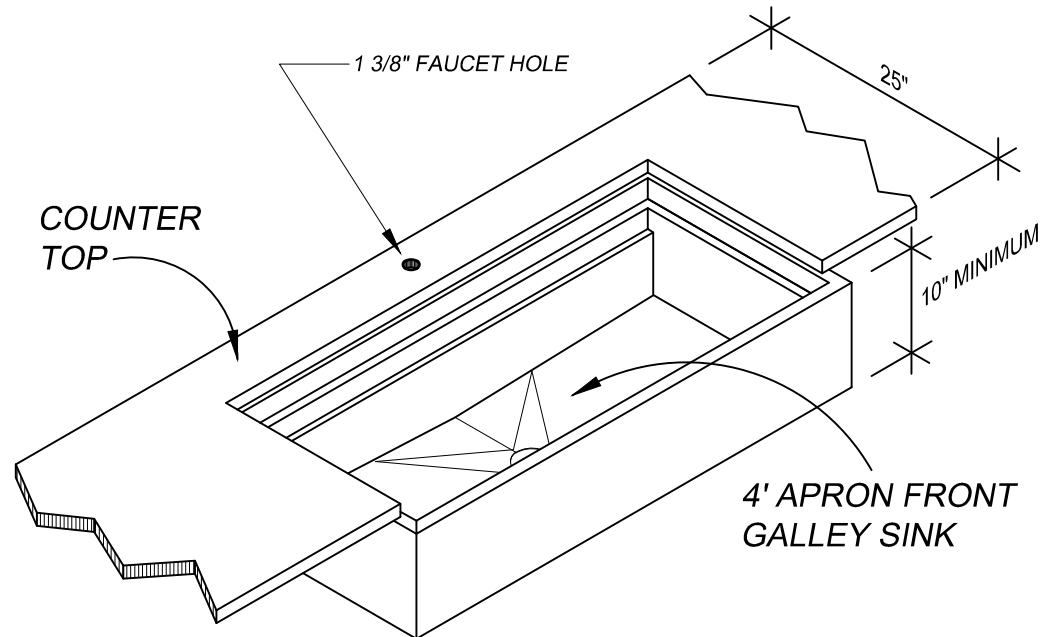
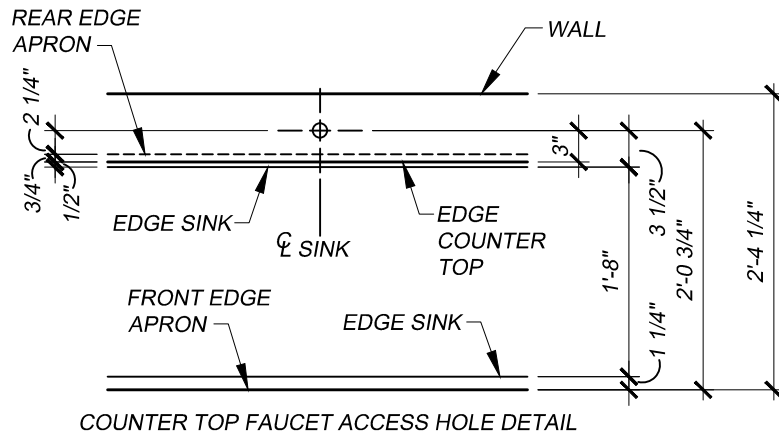


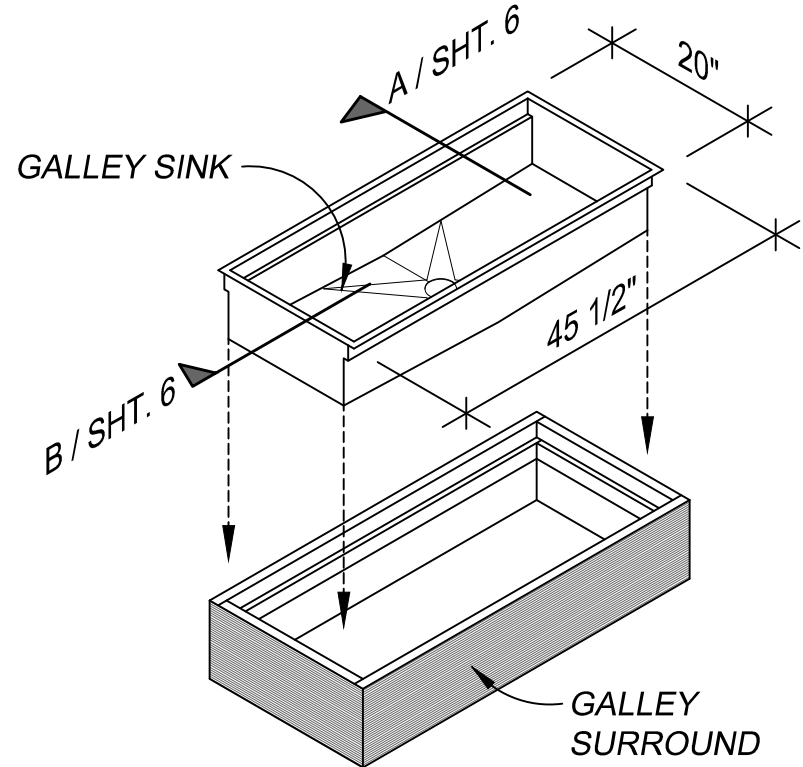
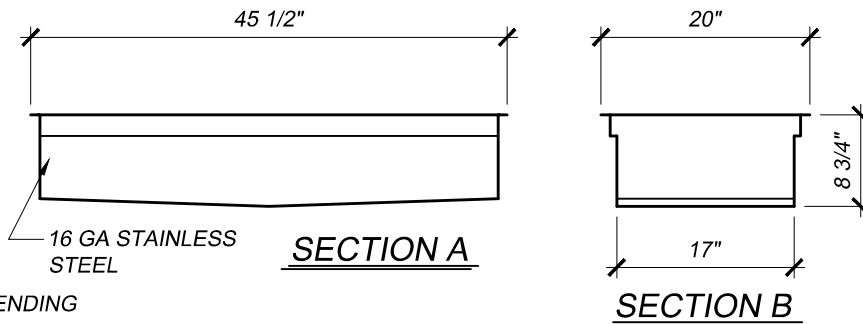
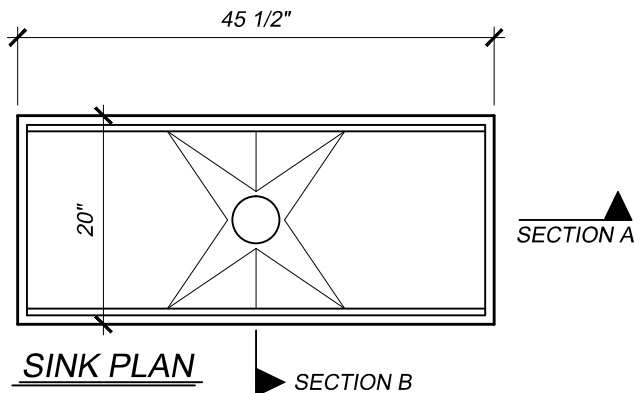
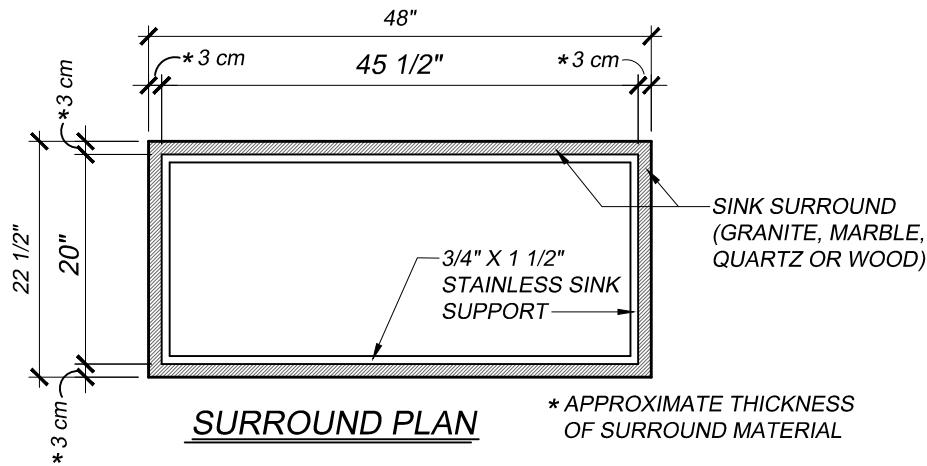
# 4' APRON FRONT GALLEY DECK FAUCET MOUNT ISLAND INSTALLATION



# 4' APRON FRONT GALLEY DECK FAUCET MOUNT FOR INSTALLATION AGAINST A WALL



# 4' APRON FRONT GALLEY SINK DETAIL

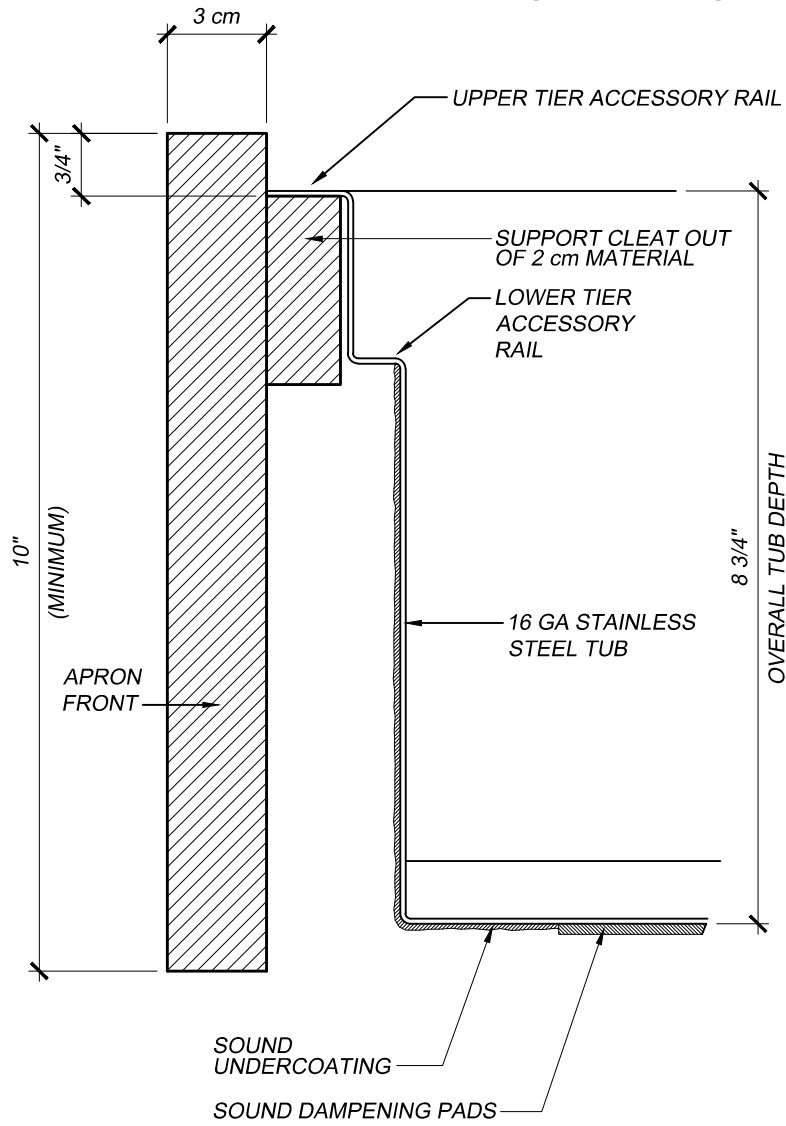


SIGNATURE GALLEY ACCESSORY PACKAGE
(1) UPPER TIER CUTTING BOARD
(1) LOWER TIER PLATFORM WITH BOWL CUTOUT
(1) 14" STAINLESS STEEL COLANDER
(1) 14" STAINLESS STEEL BOWL
(1) LOWER TIER CUTTING BOARD

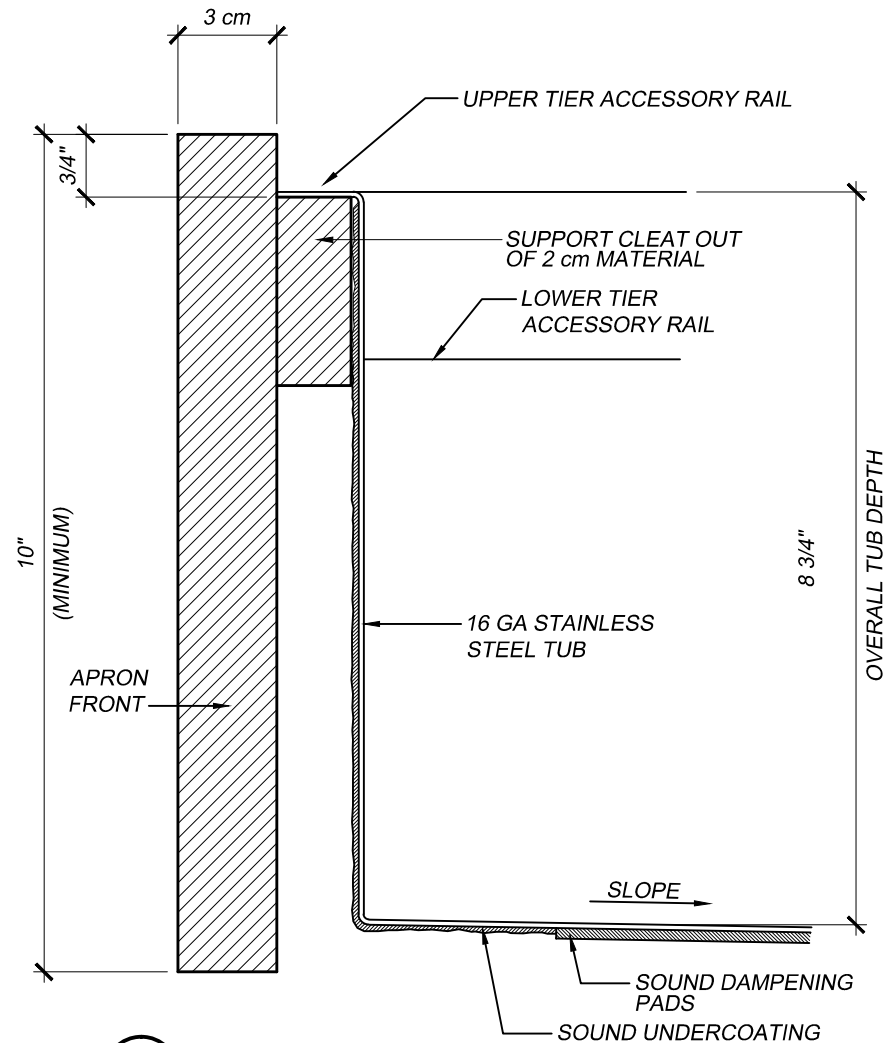
PATENT PENDING

SHEET 3 of 4

# 4' APRON FRONT GALLEY SINK DETAIL



**A** DETAIL SECTION



**B** DETAIL SECTION